



Enclosure type:  
4X "Watertight"

ISO 9001:2008 / ISO 14001 : 2004  
EUROPE CE CERTIFICATION

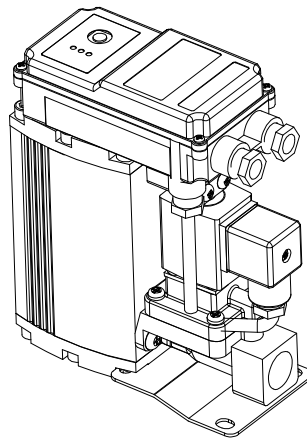


## Technical Data

## Condensate Auto Drain Trap

## Standard

**Model : DM-15**



# Condensate Auto Drain Trap

## DRAIN MASTER S

### TECHNICAL DATA

<b>Model</b>	<b>DM - 15</b>		
Order Ref.	DM 15 CA		
Working Pressure (min/max)	0.8 ~16 bar		
Temperature (min/max)	+1 °C ~ +80 °C		
Safety Class	IP 65		
Condensate Feed	G1/2"(NPT 1/2") x 2 point		
Venting Line	1/2"(NPT 1/2")		
Condensate Discharge	G1/2"(NPT 1/2")		
Weight (empty)	1.65 kg		
Scope of Application	Oil-Free Condensate or Oil-Contaminated Condensate		
Material	Housing	Aluminum, Hard coated	
	O-ring	NBR	
	Diaphragm	AU	
	PCB Board Casing	ABS	

	Climatic zone	Peak compressor performance m <sup>3</sup> /min	Peak dryer performance m <sup>3</sup> /min	Peak filter performance m <sup>3</sup> /min
<b>DM-15</b>	Green	24	48	240
	Blue	21	42	210
	Red	15	30	150

\***Green** –Dry and cool climate(such as in Northern Europe, Canada, Northern states of the USA, Central Asia)

\***Blue** –temperate climate(such as in Central and Southern Europe, Central America)

\***Red** –humid, tropical climate(such as in the coastal regions of South-East Asia, Oceania, Amazon and Congo regions)

### Discharge Capacity of DRAIN MASTER S (DM-15)

Working pressure	1 bar	2 bar	3 bar	4 bar	5 bar	6 bar	7 bar
Peak load (l/h)	43	50		59		68	

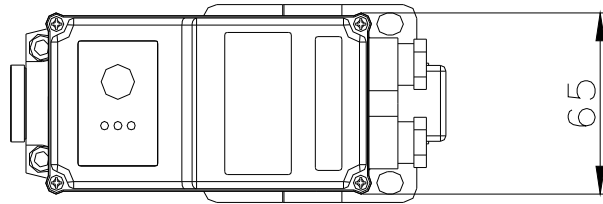
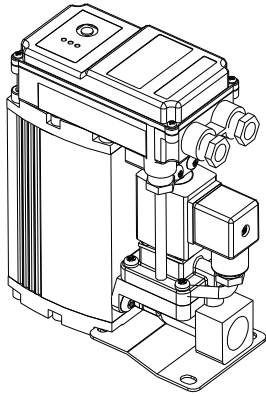
Voltage	Standard	100~240Vac(Free Voltage) / 50~60Hz	
	Order Voltages	24Vac.48Vac /24Vdc.48Vdc	
Power Input	15 VA	Fuse protection(normal lag)	0.5 A
Cable cross section	Ø 6.0 ~ 8.0 mm; 3 x 0.75mm		

### Thermostatically controlled heating (Option)

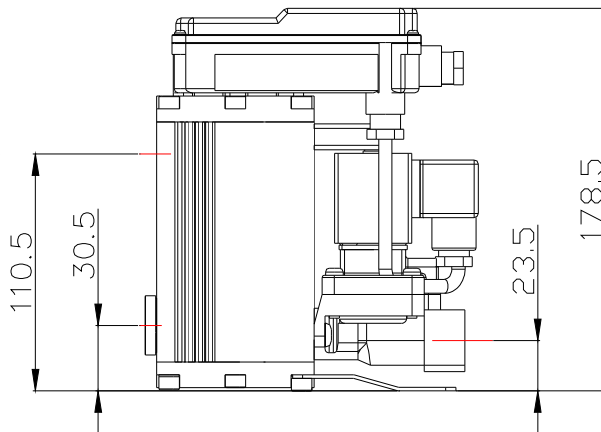
Designation	Heater Unit	
Order Ref.	A DM00-1	A DM00-2
Power	220Vac/50~60Hz/125W	110Vac/50~60Hz/125W
Operating Pressure(max)	25 bar	
with heating unit and proper insulation; down to -25 °C		

**DIMENSION**

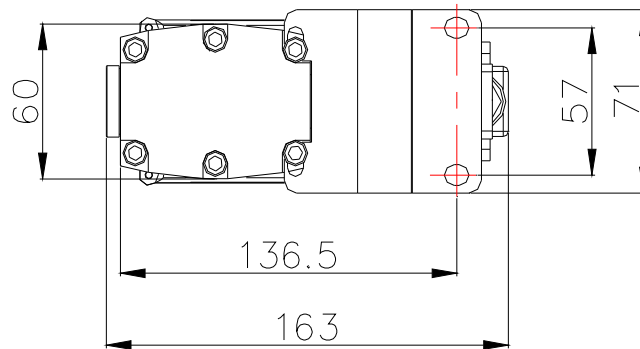
**DRAIN MASTER S (DM-15)**



Condensate Feed  
G1/2"  
(NPT 1/2")



Condensate Discharge  
G1/2"  
(NPT 1/2")



Subject to technical changes without prior notice, errors not excluded.