



ISO 9001:2008 / ISO 14001 : 2004
EUROPE CE CERTIFICATION

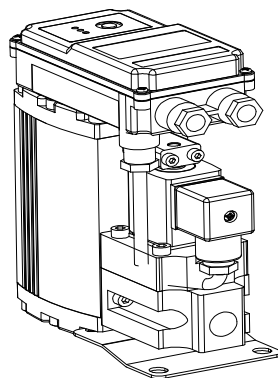


Technical Data

Condensate Auto Drain Trap

High Pressure Type

Model : DM-15HP



Condensate Auto Drain Trap

DRAIN MASTER HP

TECHNICAL DATA

| | | | |
|----------------------------|--|-----------------------|--|
| Model | DM - 15HP | | |
| Order Ref. | DM 15H CA | | |
| Working Pressure (min/max) | 1.2 ~60 bar | | |
| Temperature (min/max) | +1 °C ~ +80 °C | | |
| Safety Class | IP 65 | | |
| Condensate Feed | G1/2"(NPT 1/2") x 2 point | | |
| Venting Line | 1/2"(NPT 1/2") | | |
| Condensate Discharge | G3/8"(NPT 3/8") | | |
| Weight (empty) | 1.95 kg | | |
| Scope of Application | Oil-Free Condensate or Oil-Contaminated Condensate | | |
| Material | Housing | Aluminium, Hardcoated | |
| | O-ring | NBR | |
| | Diaphragm | AU/FKM | |
| | PCB Board Casing | ABS | |

| | Climatic zone | Peak compressor performance m ³ /min | Peak dryer performance m ³ /min | Peak filter performance m ³ /min |
|----------------|---------------|--|---|--|
| DM-15HP | Green | 24 | 48 | 240 |
| | Blue | 21 | 42 | 210 |
| | Red | 15 | 30 | 180 |

***Green** –Dry and cool climate(such as in Northern Europe, Canada, Northern states of the USA, Central Asia)

***Blue** –temperate climate(such as in Central and Southern Europe, Central Americal)

***Red** –humid, tropical climate(such as in the coastal regions of South-East Asia, Oceania, Amazon and Congo regions)

Discharge Capacity of DRAIN MASTER HP (DM-15HP)

| Working pressure | 1 bar | 2 bar | 3 bar | 4 bar | 5 bar | 6 bar | 7 bar |
|------------------|-------|-------|-------|-------|-------|-------|-------|
| Peak load (l/h) | 43 | 50 | | 59 | | 68 | |

| | | | |
|---------------------|----------------------------|------------------------------------|-------|
| Voltage | Standard | 100~240Vac(Free Voltage) / 50~60Hz | |
| | Order Voltages | 24Vac.48Vac /24Vdc.48Vdc | |
| Power Input | 15 VA | Fuse protection(normal lag) | 0.5 A |
| Cable cross section | Ø 6.0 ~ 8.0 mm; 3 x 0.75mm | | |

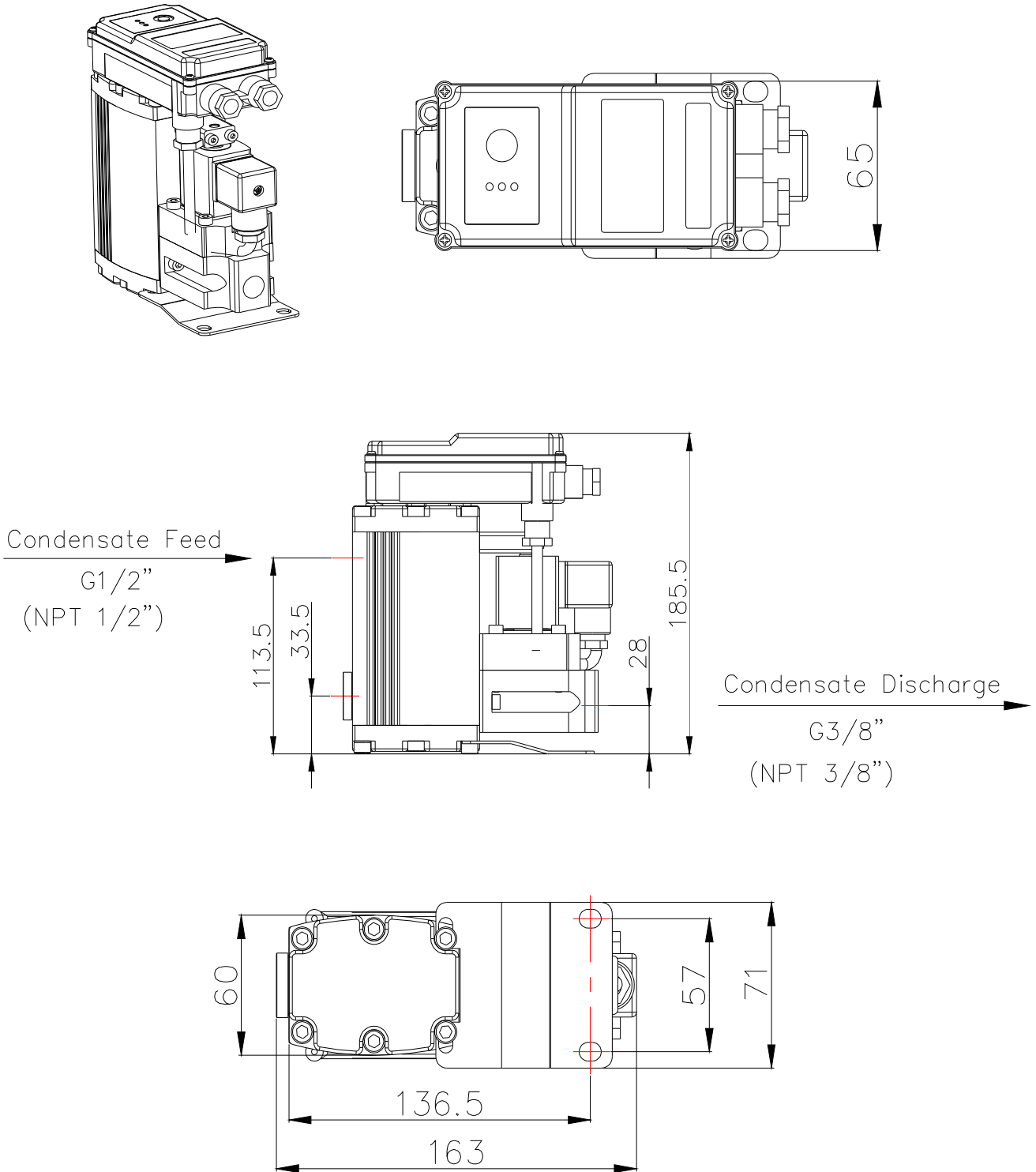
Thermostatically controlled heating (Option)

| | | |
|-------------------------|---------------------|---------------------|
| Designation | Heater Unit | |
| Order Ref. | A DM00-10 | A DM00-20 |
| Power | 220Vac/50~60Hz/125W | 110Vac/50~60Hz/125W |
| Operating Pressure(max) | 60 bar | |

with heating unit and proper insulation; down to -25 °C

DIMENSION

DRAIN MASTER HP (DM-15HP)



Subject to technical changes without prior notice, errors not excluded.



ISO 9001:2008 / ISO 14001 : 2004
EUROPE CE CERTIFICATION

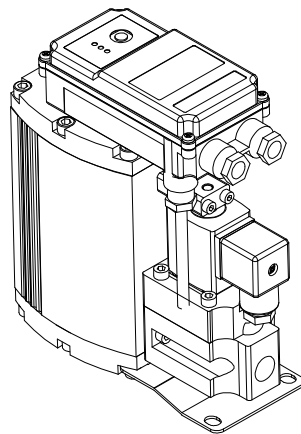


Technical Data

Condensate Auto Drain Trap

High Pressure Type

Model : DM-50HP



Condensate Auto Drain Trap

DRAIN MASTER HP

TECHNICAL DATA

| | | | |
|----------------------------|--|-----------------------|--|
| Model | DM - 50HP | | |
| Order Ref. | DM 50H CA | | |
| Working Pressure (min/max) | 1.2 ~60 bar | | |
| Temperature (min/max) | +1 °C ~ +80 °C | | |
| Safety Class | IP 65 | | |
| Condensate Feed | G1/2"(NPT 1/2") x 2 point | | |
| Venting Line | 1/2"(NPT 1/2") | | |
| Condensate Discharge | G3/8"(NPT 3/8") | | |
| Weight (empty) | 2.50 kg | | |
| Scope of Application | Oil-Free Condensate or Oil-Contaminated Condensate | | |
| Material | Housing | Aluminium, Hardcoated | |
| | O-ring | NBR | |
| | Diaphragm | AU/FKM | |
| | PCB Board Casing | ABS | |

| | Climatic zone | Peak compressor performance m ³ /min | Peak dryer performance m ³ /min | Peak filter performance m ³ /min |
|----------------|---------------|--|---|--|
| DM-50HP | Green | 80 | 160 | 800 |
| | Blue | 70 | 140 | 700 |
| | Red | 50 | 100 | 500 |

***Green** –Dry and cool climate(such as in Northern Europe, Canada, Northern states of the USA, Central Asia)

***Blue** –temperate climate(such as in Central and Southern Europe, Central America)

***Red** –humid, tropical climate(such as in the coastal regions of South-East Asia, Oceania, Amazon and Congo regions)

Discharge Capacity of DRAIN MASTER HP (DM-50HP)

| Working pressure | 1 bar | 2 bar | 3 bar | 4 bar | 5 bar | 6 bar | 7 bar |
|------------------|-------|-------|-------|-------|-------|-------|-------|
| Peak load (l/h) | 85 | 108 | 126 | 142 | 158 | 174 | 192 |

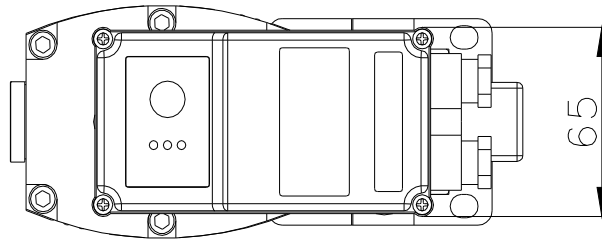
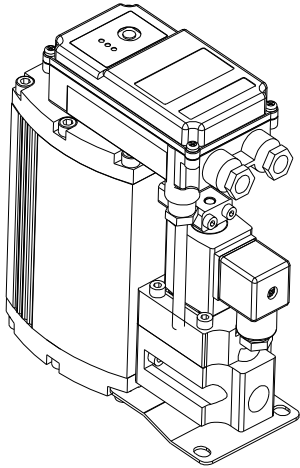
| | | | |
|---------------------|----------------------------|------------------------------------|-------|
| Voltage | Standard | 100~240Vac(Free Voltage) / 50~60Hz | |
| | Order Voltages | 24Vac.48Vac /24Vdc.48Vdc | |
| Power Input | 15 VA | Fuse protection(normal lag) | 0.5 A |
| Cable cross section | Ø 6.0 ~ 8.0 mm; 3 x 0.75mm | | |

Thermostatically controlled heating (Option)

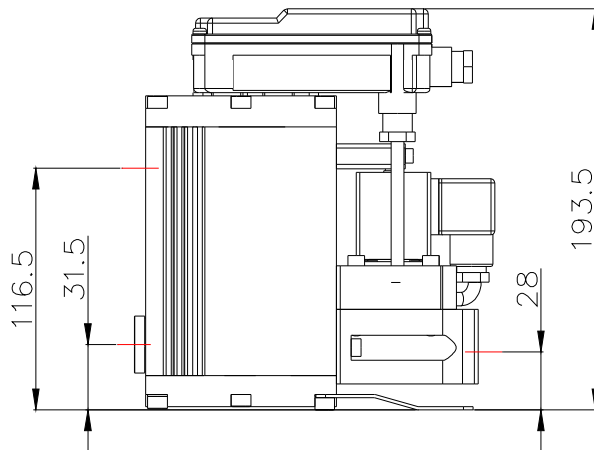
| | | |
|---|---------------------|---------------------|
| Designation | Heater Unit | |
| Order Ref. | A DM00-10 | A DM00-20 |
| Power | 220Vac/50~60Hz/125W | 110Vac/50~60Hz/125W |
| Operating Pressure(max) | 60 bar | |
| with heating unit and proper insulation; down to -25 °C | | |

DIMENSION

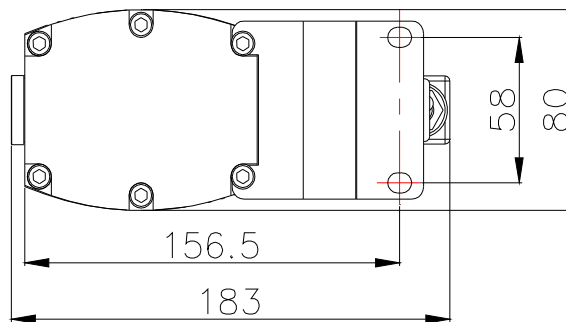
DRAIN MASTER HP (DM-50HP)



Condensate Feed
G1/2"
(NPT 1/2")



Condensate Discharge
G3/8"
(NPT 3/8")





ISO 9001:2008 / ISO 14001 : 2004
EUROPE CE CERTIFICATION

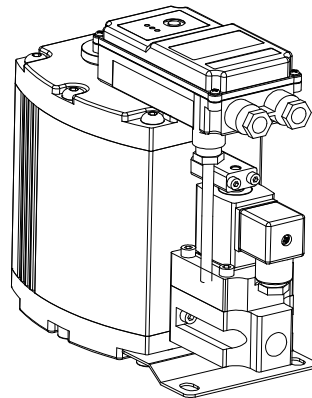


Technical Data

Condensate Auto Drain Trap

High Pressure Type

Model : DM-150HP



Condensate Auto Drain Trap

DRAIN MASTER HP

TECHNICAL DATA

| | | | |
|----------------------------|--|-----------------------|--|
| Model | DM - 150HP | | |
| Order Ref. | DM 150H CA | | |
| Working Pressure (min/max) | 1.2 ~60 bar | | |
| Temperature (min/max) | +1 °C ~ +80 °C | | |
| Safety Class | IP 65 | | |
| Condensate Feed | G3/4"(NPT 3/4") x 3 point | | |
| Venting Line | G3/4"(NPT 3/4") | | |
| Condensate Discharge | G3/8"(NPT 3/8") | | |
| Weight (empty) | 4.05 kg | | |
| Scope of Application | Oil-Free Condensate or Oil-Contaminated Condensate | | |
| Material | Housing | Aluminium, Hardcoated | |
| | O-ring | NBR | |
| | Diaphragm | AU/FKM | |
| | PCB Board Casing | ABS | |

| | Climatic zone | Peak compressor performance m ³ /min | Peak dryer performance m ³ /min | Peak filter performance m ³ /min |
|-----------------|---------------|--|---|--|
| DM-150HP | Green | 170 | 340 | 1700 |
| | Blue | 150 | 300 | 1500 |
| | Red | 105 | 210 | 1050 |

***Green** –Dry and cool climate(such as in Northern Europe, Canada, Northern states of the USA, Central Asia)

***Blue** –temperate climate(such as in Central and Southern Europe, Central Americal)

***Red** –humid, tropical climate(such as in the coastal regions of South-East Asia, Oceania, Amazon and Congo regions)

Discharge Capacity of DRAIN MASTER HP(DM-150HP)

| Working pressure | 1 bar | 2 bar | 3 bar | 4 bar | 5 bar | 6 bar | 7 bar |
|------------------|-------|-------|-------|-------|-------|-------|-------|
| Peak load (l/h) | 180 | 210 | 240 | 275 | 310 | 352 | 400 |

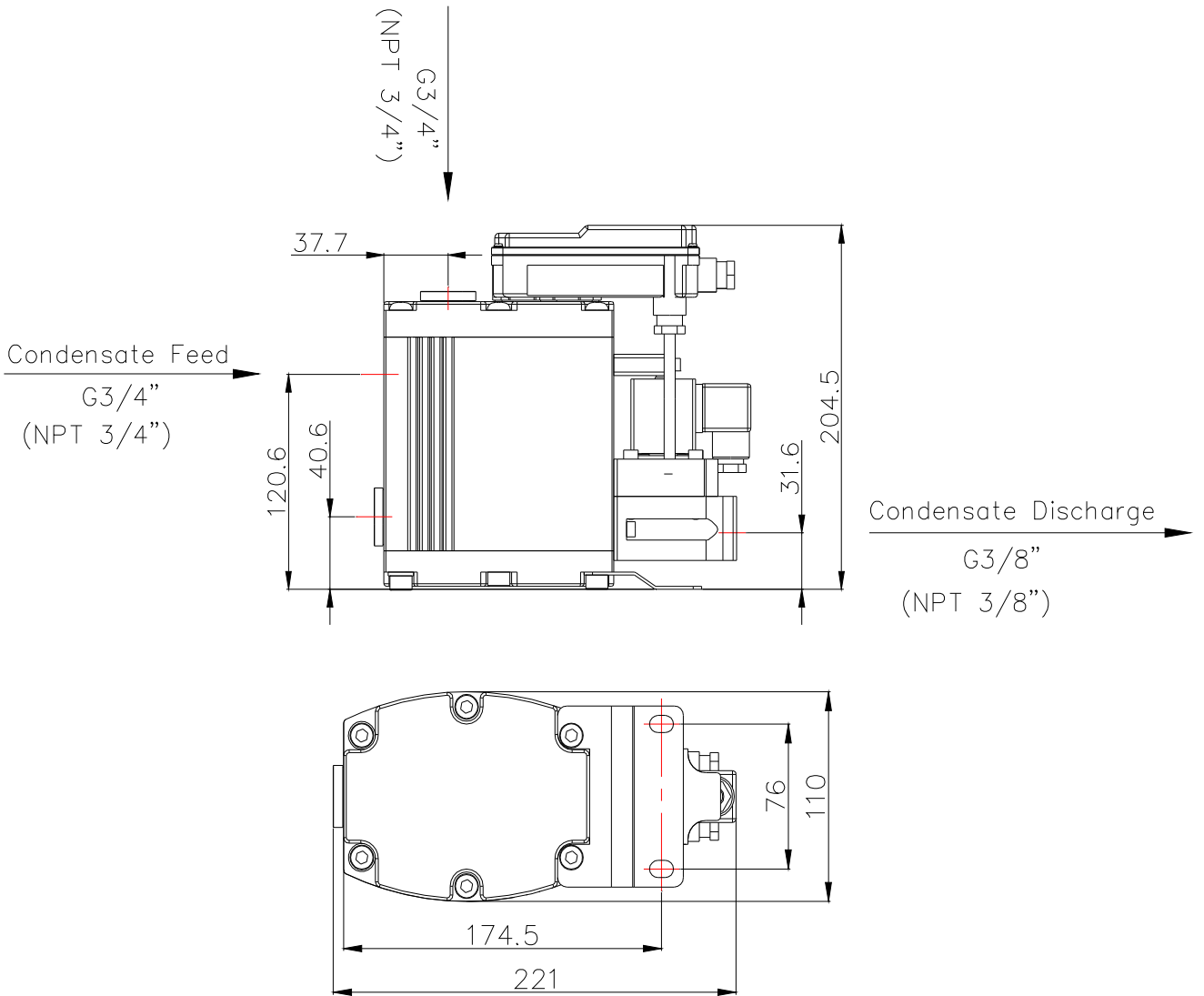
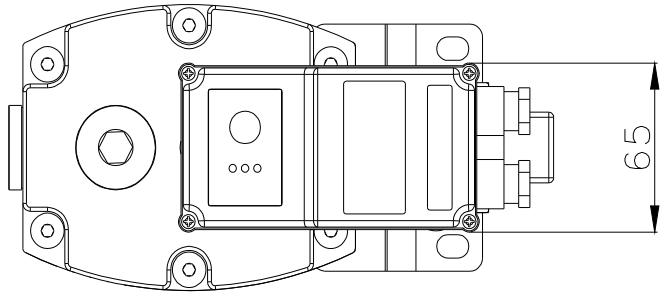
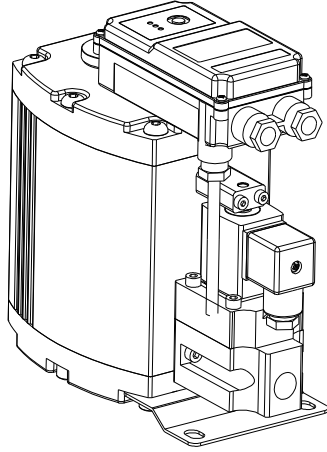
| | | | |
|---------------------|----------------------------|------------------------------------|-------|
| Voltage | Standard | 100~240Vac(Free Voltage) / 50~60Hz | |
| | Order Voltages | 24Vac.48Vac /24Vdc.48Vdc | |
| Power Input | 15 VA | Fuse protection(normal lag) | 0.5 A |
| Cable cross section | Ø 6.0 ~ 8.0 mm; 3 x 0.75mm | | |

Thermostatically controlled heating (Option)

| | | |
|---|---------------------|---------------------|
| Designation | Heater Unit | |
| Order Ref. | A DM00-10 | A DM00-20 |
| Power | 220Vac/50~60Hz/125W | 110Vac/50~60Hz/125W |
| Operating Pressure(max) | 60 bar | |
| with heating unit and proper insulation; down to -25 °C | | |

DIMENSION

DRAIN MASTER HP (DM-150HP)



Subject to technical changes without prior notice, errors not excluded.