



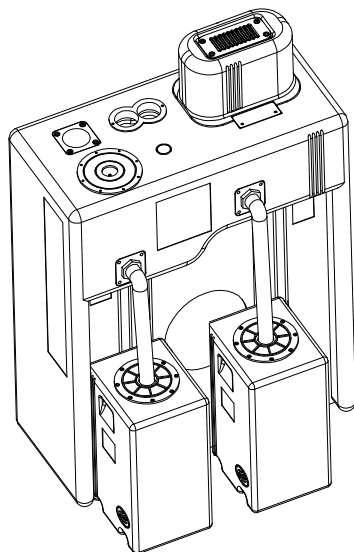
ISO 9001:2008 ISO 14001:2008

Technical Data

Oil-Water Separator

Standard

Model : YUSOO-8



TECHNICAL DATA

Model	YUSOO-8
Order Ref.	YUSOO 008 000
Container + Filter Volume	169 liter
Container Volume	154 liter
Filter Volume	1 x 15.2 liter
Condensate Feed (hose mm inside)	3/4" . (di 32mm Hose)
Water Discharge (hose mm inside)	1" . (di 32mm Hose)
Oil Discharge (hose mm inside)	1" . (di 32mm Hose)
Weight (empty)	Approx. 25 Kg
Temperature (min/max . °C)	+5 ~ 60
Scope of Application	Oil-Contaminated Condensate

Condensate & Installed Compressor Capacity

		Scerw Compressor				Piston Compressor	
		Turbine oil	VCL-oil	VDL-oil	Synthetic -oil	Turbine oil	Synthetic -oil
Condensate Capacity (ℓ/h)		9.5	7.8	9.5	6.6 ~ 7.8	7.5	5.9~6.6
Compressor Capacity (m ³ /min)	Green	9.4	7.6	9.4	6.5~7.6	7.3	5.3~6.5
	Blue	8.0	6.5	8.0	5.5~6.5	6.2	4.5~5.5
	Red	6.5	5.4	6.5	4.5~5.3	5.1	3.7~4.4

***Green** -Dry and cool climate(such as in Northern Europe, Canada, Northern states of the USA, Central Asia)
 ***Blue** -temperate climate(such as in Central and Southern Europe, Central America)
 ***Red** -humid, tropical climate(such as in the coastal regions of South-East Asia, Oceania, Amazon and Congo regions)

▶VCL-Oil : Mineral + Synthetic Oil ▶VDL-Oil : Mineral Oil

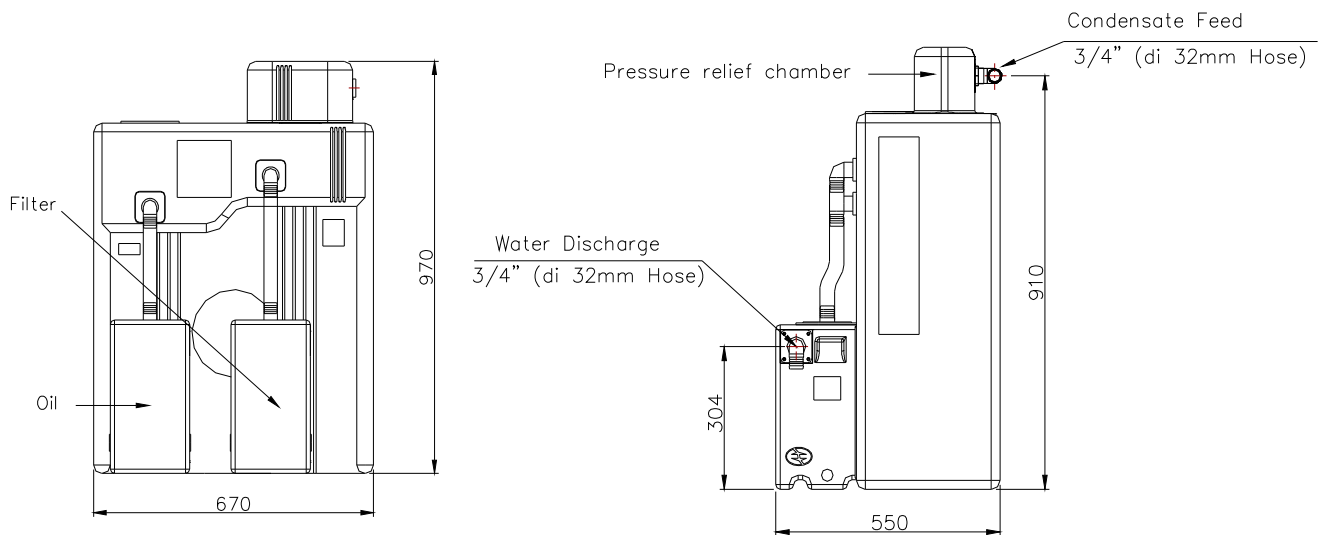
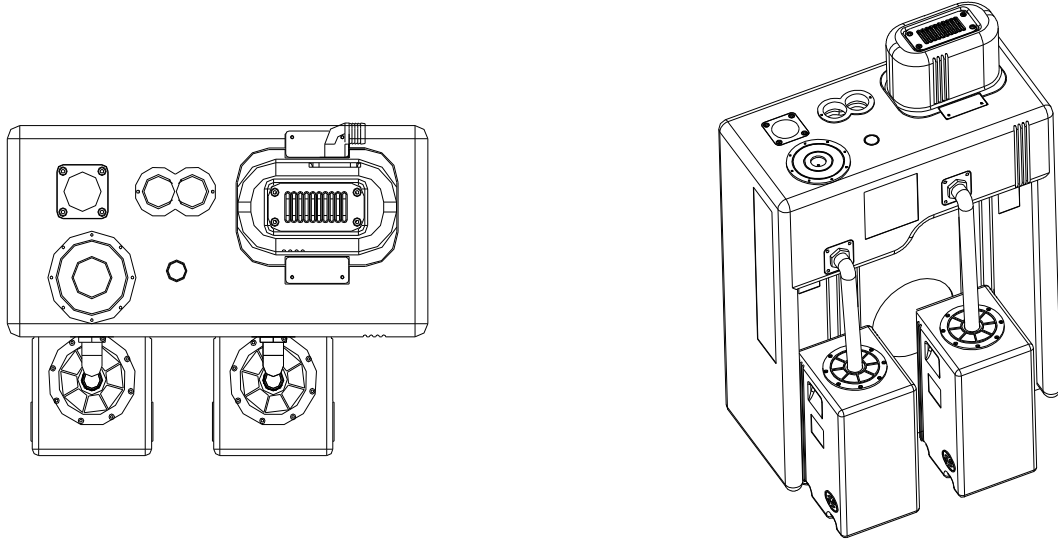
Materials

Pressure relief chamber	HDPE(Poly Ethylene)
Container	HDPE(Poly Ethylene)
Adsorption filter	Activated Carbon
Pre filter	PP(Poly Propylene)
Filter Container	HDPE(Poly Ethylene)

- ▶ Must attach automatic thermostat(option : Heater) in freezing area.
- ▶ Else above models are custom-built.
- ▶ Above specification can be changed without advance notice for improvement of performance(2013.01)

DIMENSION

YUSOO-BREAKER (YUSOO-8)





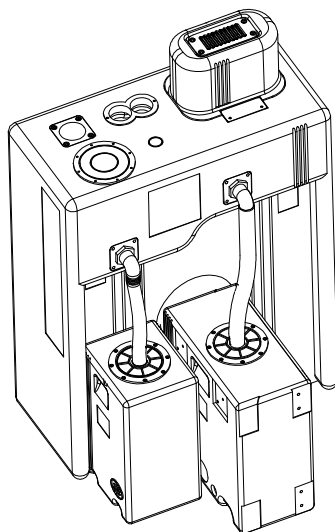
ISO 9001:2008 ISO 14001:2008

Technical Data

Oil-Water Separator

Standard

Model : YUSOO-15



TECHNICAL DATA

Model	YUSOO-15
Order Ref.	YUSOO 015 000
Container + Filter Volume	180.7 liter
Container Volume	154 liter
Filter Volume	1 x 26.7 liter
Condensate Feed (hose mm inside)	3/4" . (di 32mm Hose)
Water Discharge (hose mm inside)	1" . (di 32mm Hose)
Oil Discharge (hose mm inside)	1" . (di 32mm Hose)
Weight (empty)	Approx. 29 Kg
Temperature (min/max . °C)	+5 ~ 60
Scope of Application	Oil-Contaminated Condensate

Condensate & Installed Compressor Capacity

		Scerw Compressor				Piston Compressor	
		Turbine oil	VCL-oil	VDL-oil	Synthetic -oil	Turbine oil	Synthetic -oil
Condensate Capacity (ℓ/h)		18.2	15	18.2	13.2 ~15.0	14.5	11.0 ~12.8
Compressor Capacity (m ³ /min)	Green	17.5	14.5	17.5	13.0~14.5	14.0	10.5~12.3
	Blue	15.0	12.5	15.0	11.0~12.5	12.0	9.0~10.3
	Red	12.5	10	12.5	9.0~10.2	9.8	7.4~8.6

***Green** -Dry and cool climate(such as in Northern Europe, Canada, Northern states of the USA, Central Asia)
 ***Blue** -temperate climate(such as in Central and Southern Europe, Central America)
 ***Red** -humid, tropical climate(such as in the coastal regions of South-East Asia, Oceania, Amazon and Congo regions)

▶VCL-Oil : Mineral + Synthetic Oil ▶VDL-Oil : Mineral Oil

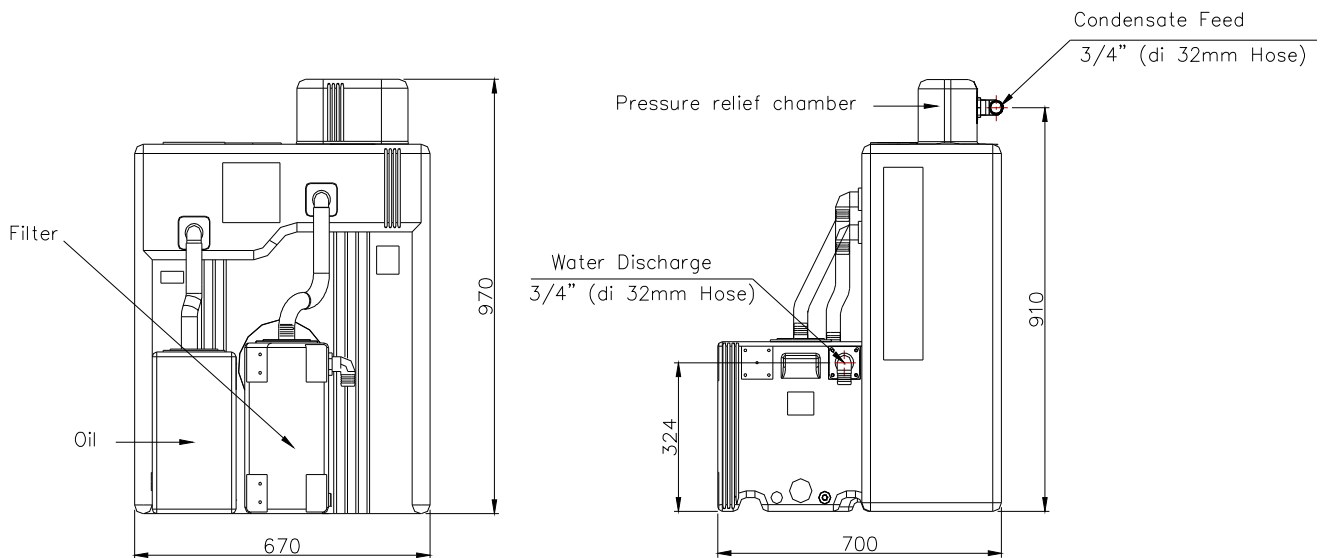
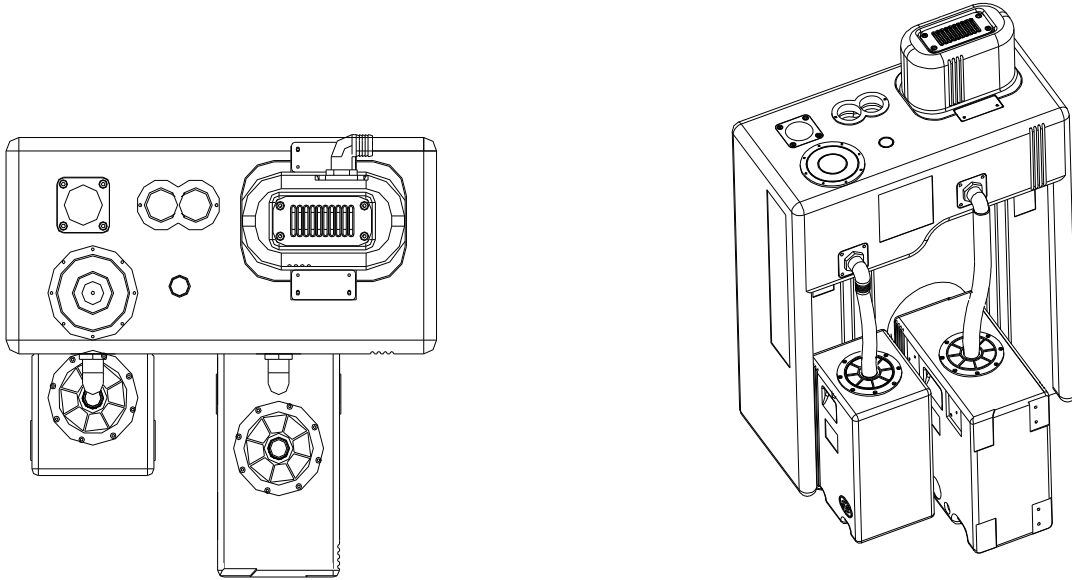
Materials

Pressure relief chamber	HDPE(Poly Ethylene)
Container	HDPE(Poly Ethylene)
Adsorption filter	Activated Carbon
Pre filter	PP(Poly Propylene)
Filter Container	HDPE(Poly Ethylene)

- ▶ Must attach automatic thermostat(option : Heater) in freezing area.
- ▶ Else above models are custom-built.
- ▶ Above specification can be changed without advance notice for improvement of performance(2013.01)

DIMENSION

YUSOO-BREAKER (YUSOO-15)





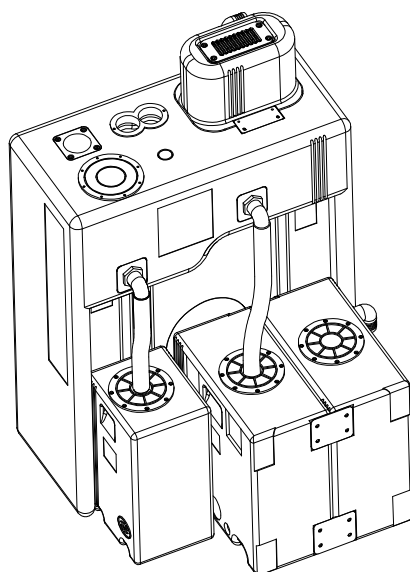
ISO 9001:2008 ISO 14001:2008

Technical Data

Oil-Water Separator

Standard

Model : YUSOO-30



TECHNICAL DATA

Model	YUSOO-30
Order Ref.	YUSOO 030 000
Container + Filter Volume	207.4 liter
Container Volume	154 liter
Filter Volume	2 x 26.7 liter
Condensate Feed (hose mm inside)	3/4" . (di 32mm Hose)
Water Discharge (hose mm inside)	1" . (di 32mm Hose)
Oil Discharge (hose mm inside)	1" . (di 32mm Hose)
Weight (empty)	Approx. 39 Kg
Temperature (min/max . °C)	+5 ~ 60
Scope of Application	Oil-Contaminated Condensate

Condensate & Installed Compressor Capacity

		Scerw Compressor				Piston Compressor	
Oil Grade		Turbine oil	VCL-oil	VDL-oil	Synthetic -oil	Turbine oil	Synthetic -oil
Condensate Capacity (ℓ/h)		35.5	30.0	35.5	26.5 ~30.0	27.8	19.8~ ~23.0
Compressor Capacity (m ³ /min)	Green	35.0	29.0	35.0	26.3~29.0	27.5	19.3~22.5
	Blue	30.0	25.0	30.0	22.5~25.0	23.5	16.5~19.0
	Red	24.5	20.5	24.5	18.5~20.5	19.5	19.5~15.5

***Green** -Dry and cool climate(such as in Northern Europe, Canada, Northern states of the USA, Central Asia)
 ***Blue** -temperate climate(such as in Central and Southern Europe, Central America)
 ***Red** -humid, tropical climate(such as in the coastal regions of South-East Asia, Oceania, Amazon and Congo regions)

▶VCL-Oil : Mineral + Synthetic Oil ▶VDL-Oil : Mineral Oil

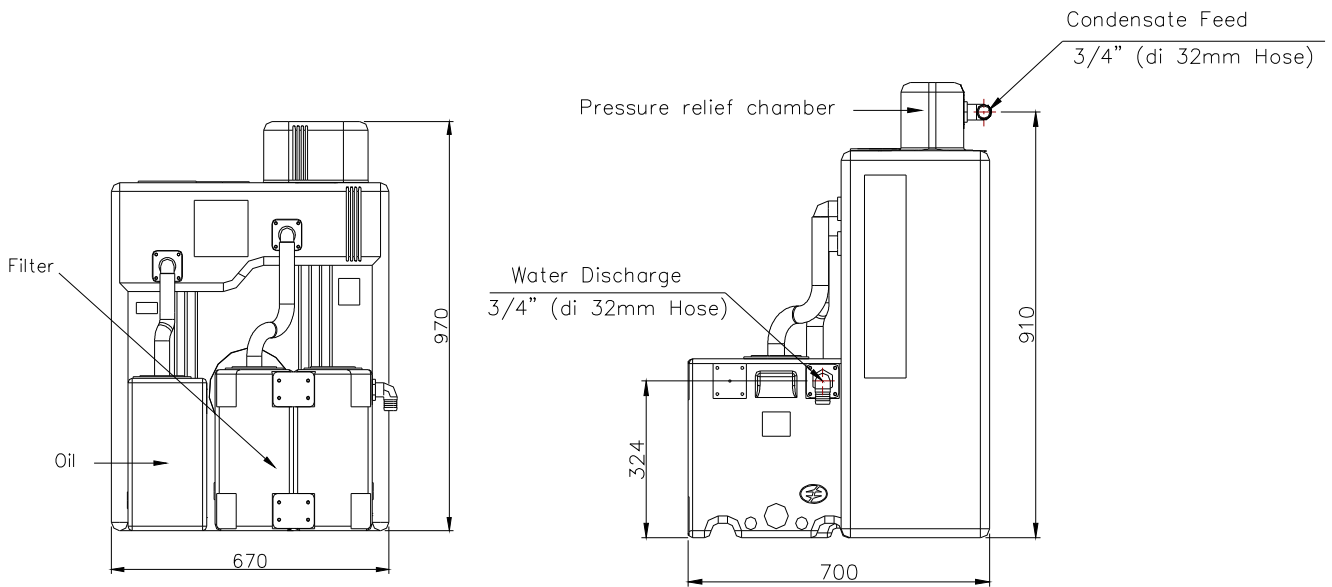
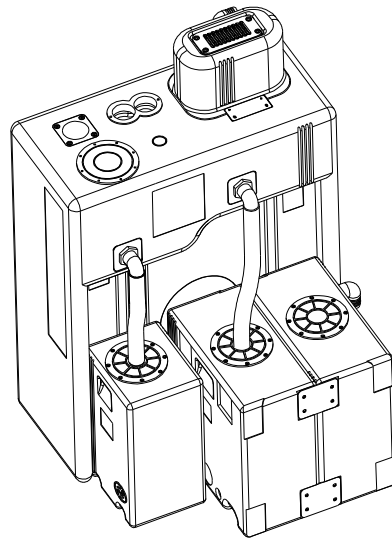
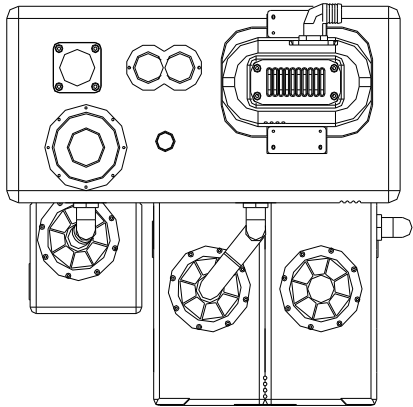
Materials

Pressure relief chamber	HDPE(Poly Ethylene)
Container	HDPE(Poly Ethylene)
Adsorption filter	Activated Carbon
Pre filter	PP(Poly Propylene)
Filter Container	HDPE(Poly Ethylene)

- ▶ Must attach automatic thermostat(option : Heater) in freezing area.
- ▶ Else above models are custom-built.
- ▶ Above specification can be changed without advance notice for improvement of performance(2013.01)

DIMENSION

YUSOO-BREAKER (YUSOO-30)





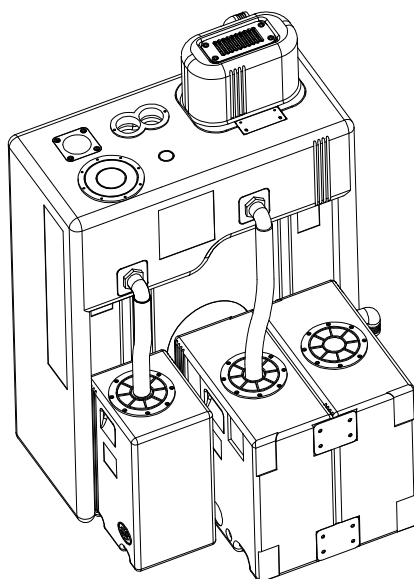
ISO 9001:2008 ISO 14001:2008

Technical Data

Oil-Water Separator

Standard

Model : YUSOO-42



TECHNICAL DATA

Model	YUSOO-42
Order Ref.	YUSOO 042 000
Container + Filter Volume	227.7 liter
Container Volume	154.0 liter
Filter Volume	2 x 36.9 liter
Condensate Feed (hose mm inside)	1" . (di 32mm Hose)
Water Discharge (hose mm inside)	1" . (di 32mm Hose)
Oil Discharge (hose mm inside)	1" . (di 32mm Hose)
Weight (empty)	Approx. 45 Kg
Temperature (min/max . °C)	+5 ~ 60
Scope of Application	Oil-Contaminated Condensate

Condensate & Installed Compressor Capacity

		Scerw Compressor				Piston Compressor	
Oil Grade		Turbine oil	VCL-oil	VDL-oil	Synthetic -oil	Turbine oil	Synthetic -oil
Condensate Capacity (l/h)		48.5	40.5	48.5	37.0 ~40.5	34.0	25.5 ~31.5
Compressor Capacity (m ³ /min)	Green	49.0	41.5	49.0	37.5~41.5	34.5	25.8~31.0
	Blue	42.0	35.5	42.0	32.0~35.5	29.5	22.0~26.5
	Red	34.5	29.0	34.5	26.0~29.0	24	18.0~21.0

***Green** -Dry and cool climate(such as in Northern Europe, Canada, Northern states of the USA, Central Asia)
 ***Blue** -temperate climate(such as in Central and Southern Europe, Central America)
 ***Red** -humid, tropical climate(such as in the coastal regions of South-East Asia, Oceania, Amazon and Congo regions)

▶VCL-Oil : Mineral + Synthetic Oil ▶VDL-Oil : Mineral Oil

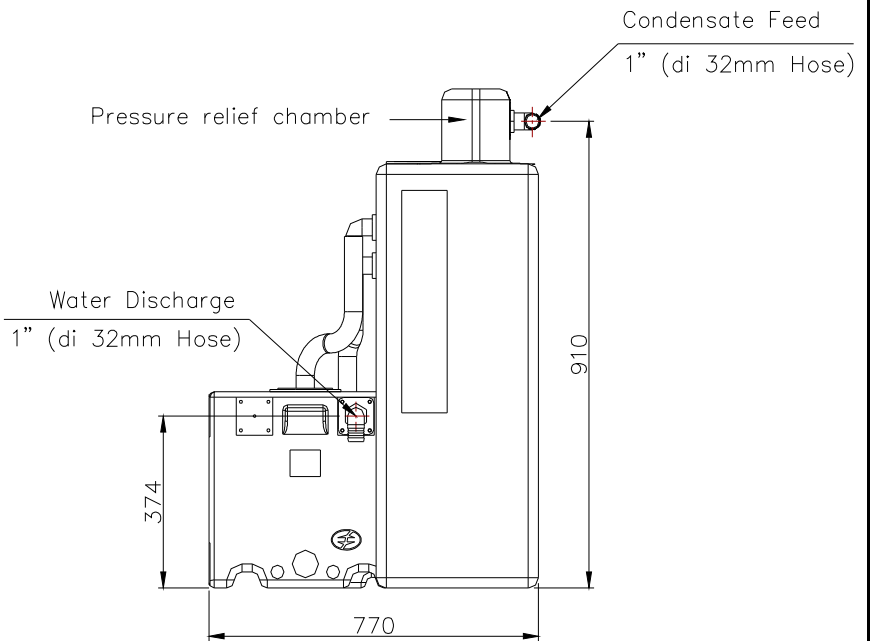
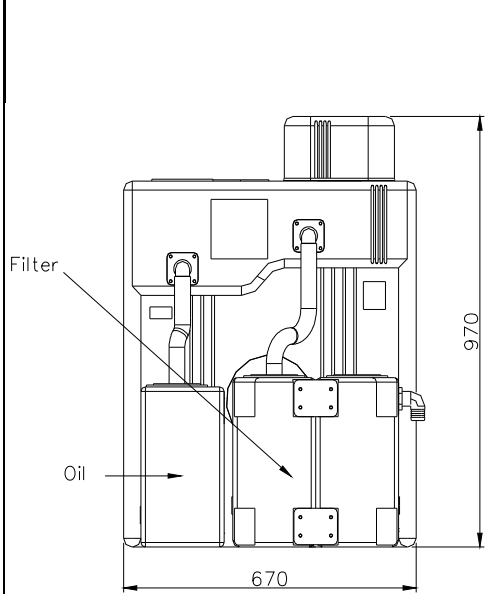
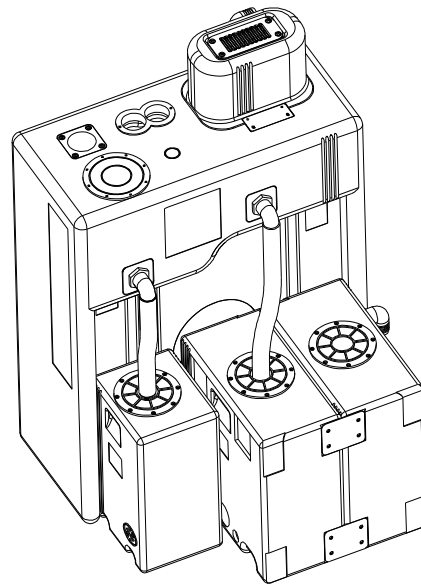
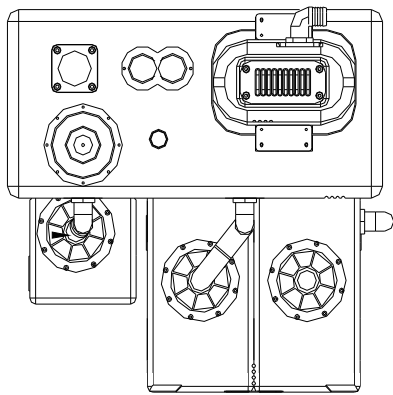
Materials

Pressure relief chamber	HDPE(Poly Ethylene)
Container	HDPE(Poly Ethylene)
Adsorption filter	Activated Carbon
Pre filter	PP(Poly Propylene)
Filter Container	HDPE(Poly Ethylene)

- ▶ Must attach automatic thermostat(option : Heater) in freezing area.
- ▶ Else above models are custom-built.
- ▶ Above specification can be changed without advance notice for improvement of performance(2013.01)

DIMENSION

YUSOO-BREAKER (YUSOO-42)



Subject to technical changes without prior notice, errors not excluded.



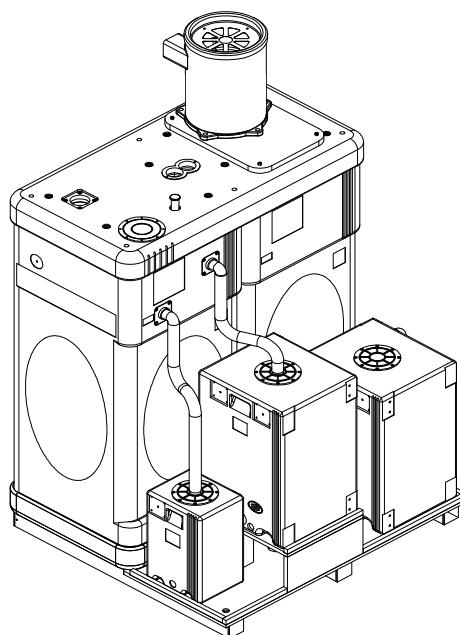
ISO 9001:2008 ISO 14001:2008

Technical Data

Oil-Water Separator

Standard

Model : YUSOO-100



TECHNICAL DATA

Model	YUSOO-100
Order Ref.	YUSOO 100 000
Container + Filter Volume	726 liter
Container Volume	600 liter
Filter Volume	2 x 63 liter
Condensate Feed (hose mm inside)	1" . (di 32mm Hose)
Water Discharge (hose mm inside)	1" . (di 32mm Hose)
Oil Discharge (hose mm inside)	1" . (di 32mm Hose)
Weight (empty)	Approx. 87 Kg
Temperature (min/max . °C)	+5 ~ 60
Scope of Application	Oil-Contaminated Condensate

Condensate & Installed Compressor Capacity

		Scerw Compressor				Piston Compressor	
Oil Grade		Turbine oil	VCL-oil	VDL-oil	Synthetic -oil	Turbine oil	Synthetic -oil
Condensate Capacity (ℓ/h)		120	88.0	120	77.0 ~88.0	80.0	61.0 ~71.0
Compressor Capacity (m ³ /min)	Green	117.0	87.7	117.0	76.0~87.8	79.5	60.0~70.0
	Blue	100.0	75.0	100.0	65.0~75.0	68.0	51.0~60.0
	Red	78.0	58.5	78.0	50.7~58.5	53	39.8~47.0

***Green** -Dry and cool climate(such as in Northern Europe, Canada, Northern states of the USA, Central Asia)
 ***Blue** -temperate climate(such as in Central and Southern Europe, Central America)
 ***Red** -humid, tropical climate(such as in the coastal regions of South-East Asia, Oceania, Amazon and Congo regions)

▶VCL-Oil : Mineral + Synthetic Oil ▶VDL-Oil : Mineral Oil

Materials

Pressure relief chamber	HDPE(Poly Ethylene)
Container	HDPE(Poly Ethylene)
Adsorption filter	Activated Carbon
Pre filter	PP(Poly Propylene)
Filter Container	HDPE(Poly Ethylene)

- ▶ Must attach automatic thermostat(option : Heater) in freezing area.
- ▶ Else above models are custom-built.
- ▶ Above specification can be changed without advance notice for improvement of performance(2013.01)

DIMENSION

YUSOO-BREAKER (YUSOO-100)

