



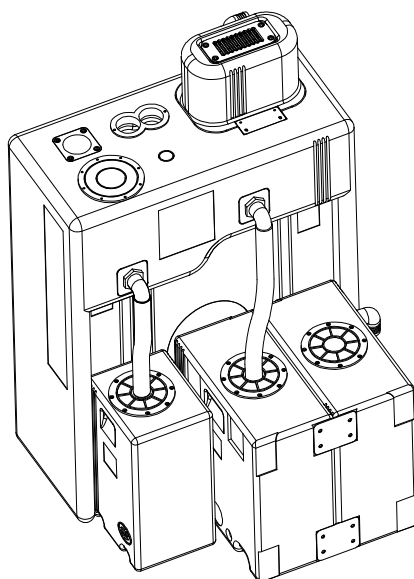
ISO 9001:2008 ISO 14001:2008

Technical Data

Oil-Water Separator

Standard

Model : YUSOO-42



TECHNICAL DATA

Model	YUSOO-42
Order Ref.	YUSOO 042 000
Container + Filter Volume	227.7 liter
Container Volume	154.0 liter
Filter Volume	2 x 36.9 liter
Condensate Feed (hose mm inside)	1" . (di 32mm Hose)
Water Discharge (hose mm inside)	1" . (di 32mm Hose)
Oil Discharge (hose mm inside)	1" . (di 32mm Hose)
Weight (empty)	Approx. 45 Kg
Temperature (min/max . °C)	+5 ~ 60
Scope of Application	Oil-Contaminated Condensate

Condensate & Installed Compressor Capacity

		Scerw Compressor				Piston Compressor	
Oil Grade		Turbine oil	VCL-oil	VDL-oil	Synthetic -oil	Turbine oil	Synthetic -oil
Condensate Capacity (l/h)		48.5	40.5	48.5	37.0 ~40.5	34.0	25.5 ~31.5
Compressor Capacity (m ³ /min)	Green	49.0	41.5	49.0	37.5~41.5	34.5	25.8~31.0
	Blue	42.0	35.5	42.0	32.0~35.5	29.5	22.0~26.5
	Red	34.5	29.0	34.5	26.0~29.0	24	18.0~21.0

***Green** -Dry and cool climate(such as in Northern Europe, Canada, Northern states of the USA, Central Asia)
 ***Blue** -temperate climate(such as in Central and Southern Europe, Central America)
 ***Red** -humid, tropical climate(such as in the coastal regions of South-East Asia, Oceania, Amazon and Congo regions)

▶VCL-Oil : Mineral + Synthetic Oil ▶VDL-Oil : Mineral Oil

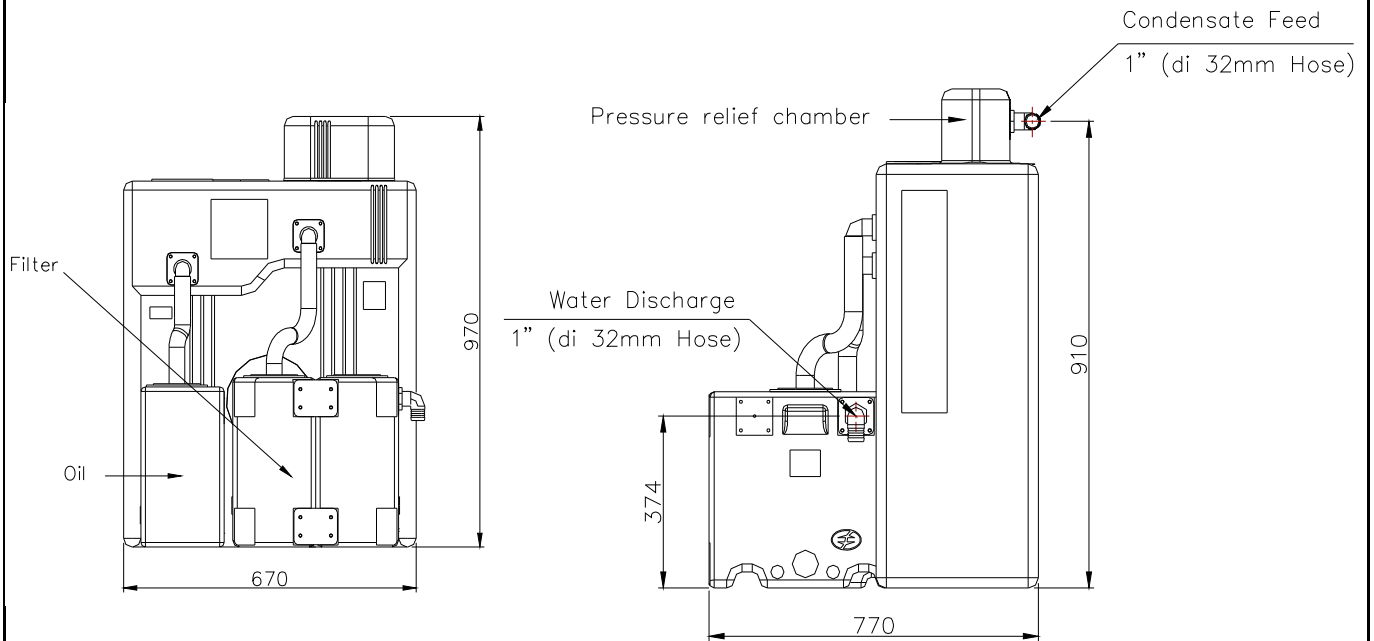
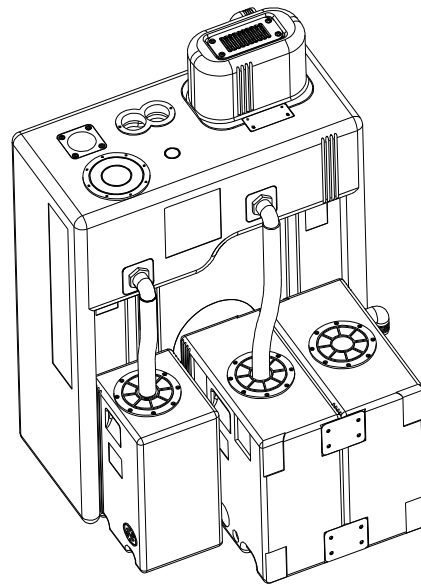
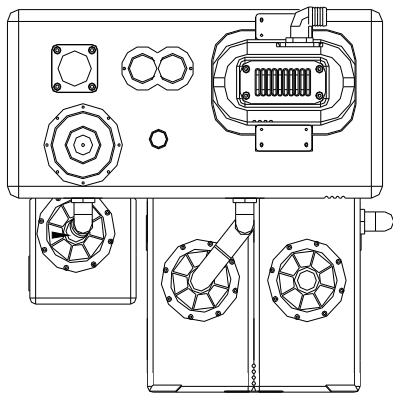
Materials

Pressure relief chamber	HDPE(Poly Ethylene)
Container	HDPE(Poly Ethylene)
Adsorption filter	Activated Carbon
Pre filter	PP(Poly Propylene)
Filter Container	HDPE(Poly Ethylene)

- ▶ Must attach automatic thermostat(option : Heater) in freezing area.
- ▶ Else above models are custom-built.
- ▶ Above specification can be changed without advance notice for improvement of performance(2013.01)

DIMENSION

YUSOO-BREAKER (YUSOO-42)



Subject to technical changes without prior notice, errors not excluded.