



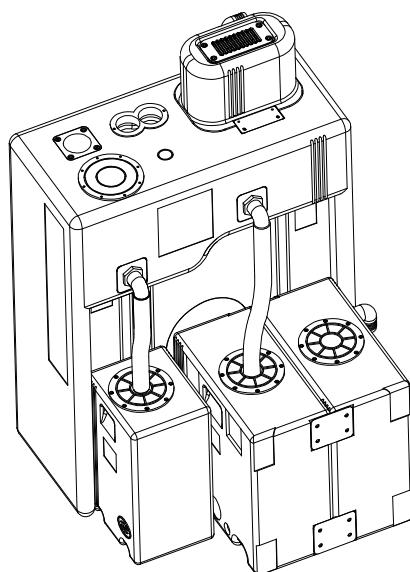
ISO 9001:2008 ISO 14001:2008

Technical Data

Oil-Water Separator

Standard

Model : YUSOO-30



TECHNICAL DATA

Model	YUSOO-30
Order Ref.	YUSOO 030 000
Container + Filter Volume	207.4 liter
Container Volume	154 liter
Filter Volume	2 x 26.7 liter
Condensate Feed (hose mm inside)	3/4" . (di 32mm Hose)
Water Discharge (hose mm inside)	1" . (di 32mm Hose)
Oil Discharge (hose mm inside)	1" . (di 32mm Hose)
Weight (empty)	Approx. 39 Kg
Temperature (min/max . ℃)	+5 ~ 60
Scope of Application	Oil-Contaminated Condensate

Condensate & Installed Compressor Capacity

		Scerw Compressor				Piston Compressor	
Oil Grade		Turbine oil	VCL-oil	VDL-oil	Synthetic -oil	Turbine oil	Synthetic -oil
Condensate Capacity (ℓ/h)		35.5	30.0	35.5	26.5 ~30.0	27.8	19.8~ ~23.0
Compressor Capacity (m ³ /min)	Green	35.0	29.0	35.0	26.3~29.0	27.5	19.3~22.5
	Blue	30.0	25.0	30.0	22.5~25.0	23.5	16.5~19.0
	Red	24.5	20.5	24.5	18.5~20.5	19.5	19.5~15.5

***Green** -Dry and cool climate(such as in Northern Europe, Canada, Northern states of the USA, Central Asia)
 ***Blue** -temperate climate(such as in Central and Southern Europe, Central America)
 ***Red** -humid, tropical climate(such as in the coastal regions of South-East Asia, Oceania, Amazon and Congo regions)

▶VCL-Oil : Mineral + Synthetic Oil ▶VDL-Oil : Mineral Oil

Materials

Pressure relief chamber	HDPE(Poly Ethylene)
Container	HDPE(Poly Ethylene)
Adsorption filter	Activated Carbon
Pre filter	PP(Poly Propylene)
Filter Container	HDPE(Poly Ethylene)

- ▶ Must attach automatic thermostat(option : Heater) in freezing area.
- ▶ Else above models are custom-built.
- ▶ Above specification can be changed without advance notice for improvement of performance(2013.01)

DIMENSION

YUSOO-BREAKER (YUSOO-30)

