



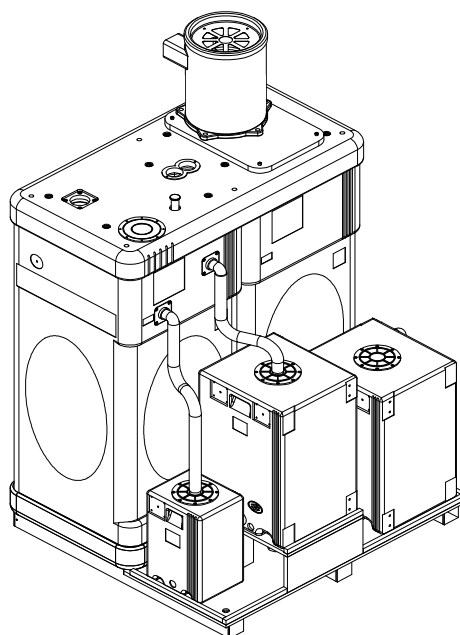
ISO 9001:2008 ISO 14001:2008

Technical Data

Oil-Water Separator

Standard

Model : YUSOO-100



TECHNICAL DATA

| | |
|----------------------------------|-----------------------------|
| Model | YUSOO-100 |
| Order Ref. | YUSOO 100 000 |
| Container + Filter Volume | 726 liter |
| Container Volume | 600 liter |
| Filter Volume | 2 x 63 liter |
| Condensate Feed (hose mm inside) | 1" . (di 32mm Hose) |
| Water Discharge (hose mm inside) | 1" . (di 32mm Hose) |
| Oil Discharge (hose mm inside) | 1" . (di 32mm Hose) |
| Weight (empty) | Approx. 87 Kg |
| Temperature (min/max . ℃) | +5 ~ 60 |
| Scope of Application | Oil-Contaminated Condensate |

Condensate & Installed Compressor Capacity

| | | Scerw Compressor | | | | Piston Compressor | |
|---|-------|------------------|---------|---------|-------------------|-------------------|-------------------|
| Oil Grade | | Turbine oil | VCL-oil | VDL-oil | Synthetic -oil | Turbine oil | Synthetic -oil |
| Condensate Capacity (ℓ/h) | | 120 | 88.0 | 120 | 77.0 ~88.0 | 80.0 | 61.0 ~71.0 |
| Compressor Capacity (m ³ /min) | Green | 117.0 | 87.7 | 117.0 | 76.0~87.8 | 79.5 | 60.0~70.0 |
| | Blue | 100.0 | 75.0 | 100.0 | 65.0~75.0 | 68.0 | 51.0~60.0 |
| | Red | 78.0 | 58.5 | 78.0 | 50.7~58.5 | 53 | 39.8~47.0 |

***Green** -Dry and cool climate(such as in Northern Europe, Canada, Northern states of the USA, Central Asia)
 ***Blue** -temperate climate(such as in Central and Southern Europe, Central America)
 ***Red** -humid, tropical climate(such as in the coastal regions of South-East Asia, Oceania, Amazon and Congo regions)

▶VCL-Oil : Mineral + Synthetic Oil ▶VDL-Oil : Mineral Oil

Materials

| | |
|-------------------------|---------------------|
| Pressure relief chamber | HDPE(Poly Ethylene) |
| Container | HDPE(Poly Ethylene) |
| Adsorption filter | Activated Carbon |
| Pre filter | PP(Poly Propylene) |
| Filter Container | HDPE(Poly Ethylene) |

- ▶ Must attach automatic thermostat(option : Heater) in freezing area.
- ▶ Else above models are custom-built.
- ▶ Above specification can be changed without advance notice for improvement of performance(2013.01)

DIMENSION

YUSOO-BREAKER (YUSOO-100)

