

ISO 9001:2008 / ISO 14001 : 2004
EUROPE CE CERTIFICATION

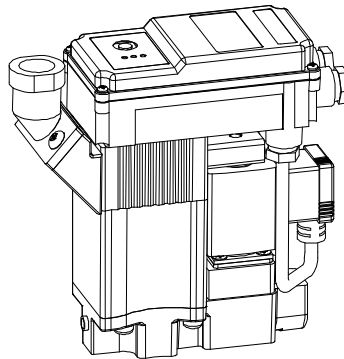


Technical Data

Condensate Auto Drain Trap

Standard

Model : DM-5S



Condensate Auto Drain Trap

DRAIN MASTER S

TECHNICAL DATA

Model	DM - 5S		
Order Ref.	DM 5S CA		
Working Pressure (min/max)	0.8 ~16 bar		
Temperature (min/max)	+1℃ ~ +80℃		
Safety Class	IP 65		
Condensate Feed	G1/2"(NPT 1/2") x 1 point		
Condensate Discharge	G1/4"(NPT 1/4")		
Weight (empty)	0.92 kg		
Scope of Application	Oil-Free Condensate or Oil-Contaminated Condensate		
Material	Housing	POM	
	O-ring	NBR	
	Diaphragm	AU	
	PCB Board Casing	ABS	

	Climatic zone	Peak compressor performance m ³ /min	Peak dryer performance m ³ /min	Peak filter performance m ³ /min
DM-5S	Green	5	10	50
	Blue	4.5	9	45
	Red	3	6	30

***Green** –Dry and cool climate(such as in Northern Europe, Canada, Northern states of the USA, Central Asia)

***Blue** –temperate climate(such as in Central and Southern Europe, Central America)

***Red** –humid, tropical climate(such as in the coastal regions of South-East Asia, Oceania, Amazon and Congo regions)

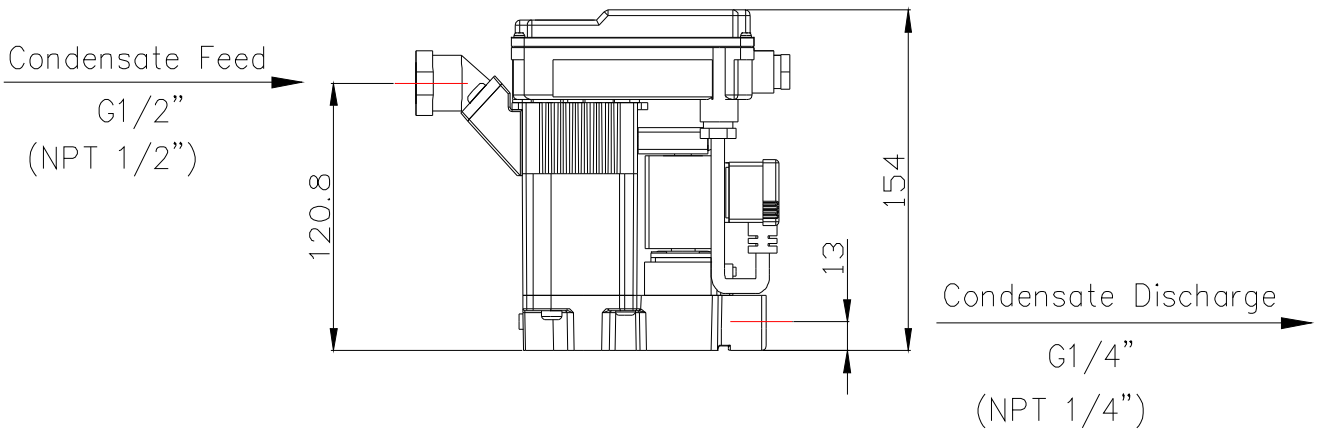
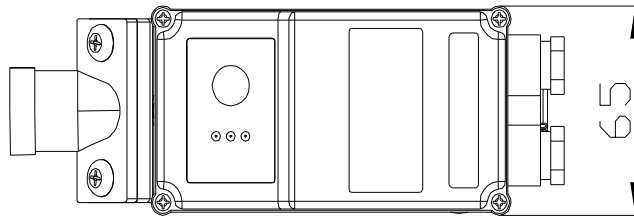
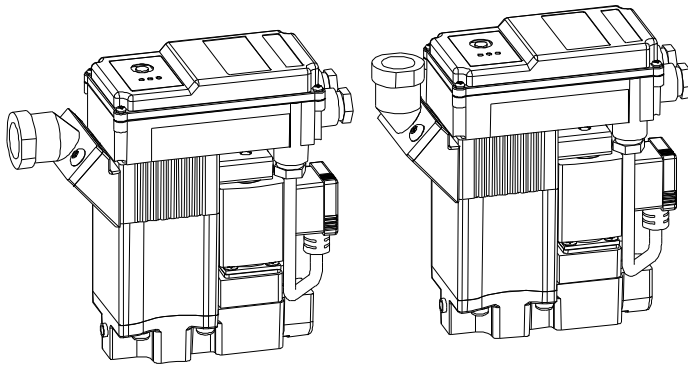
Discharge Capacity of DRAIN MASTER S (DM-5S)

Working pressure	1 bar	2 bar	3 bar	4 bar	5 bar	6 bar	7 bar
Peak load (l/h)	13	15	18		21		

Voltage	Standard	100~240Vac(Free Voltage) / 50~60Hz		
	Order Voltages	24Vac.48Vac /24Vdc.48Vdc		
Power Input	15 VA	Fuse protection(normal lag)		0.5 A
Cable cross section	Ø 6.0 ~ 8.0 mm; 3 x 0.75mm			

DIMENSION

DRAIN MASTER S (DM-5S)





ISO 9001:2008 / ISO 14001 : 2004
EUROPE CE CERTIFICATION

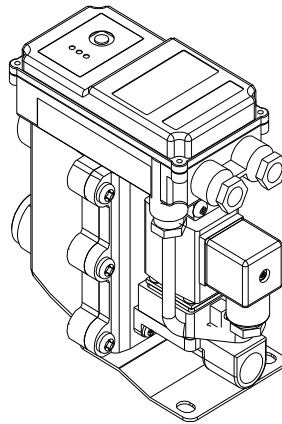


Technical Data

Condensate Auto Drain Trap

Standard

Model : DM-5N



Condensate Auto Drain Trap

DRAIN MASTER S

TECHNICAL DATA

Model	DM - 5N		
Order Ref.	DM 5N CA		
Working Pressure (min/max)	0.8 ~16 bar		
Temperature (min/max)	+1 °C ~ +80 °C		
Safety Class	IP 65		
Condensate Feed	G1/2"(NPT 1/2") x 2 point		
Venting Line	1/2"(NPT 1/2")		
Condensate Discharge	G3/8"(NPT 3/8")		
Weight (empty)	1.3 kg		
Scope of Application	Oil-Free Condensate or Oil-Contaminated Condensate		
Material	Housing	Aluminum, Hard coated	
	O-ring	NBR	
	Diaphragm	AU	
	PCB Board Casing	ABS	

	Climatic zone	Peak compressor performance m ³ /min	Peak dryer performance m ³ /min	Peak filter performance m ³ /min
DM-5N	Green	8	16	80
	Blue	7	14	70
	Red	5	10	50

***Green** –Dry and cool climate(such as in Northern Europe, Canada, Northern states of the USA, Central Asia)

***Blue** –temperate climate(such as in Central and Southern Europe, Central America)

***Red** –humid, tropical climate(such as in the coastal regions of South-East Asia, Oceania, Amazon and Congo regions)

Discharge Capacity of DRAIN MASTER S (DM-5N)

Working pressure	1 bar	2 bar	3 bar	4 bar	5 bar	6 bar	7 bar
Peak load (l/h)	21	24	28		32		

Voltage	Standard	100~240Vac(Free Voltage) / 50~60Hz		
	Order Voltages	24Vac.48Vac /24Vdc.48Vdc		
Power Input	15 VA	Fuse protection(normal lag)		0.5 A
Cable cross section	Ø 6.0 ~ 8.0 mm; 3 x 0.75mm			

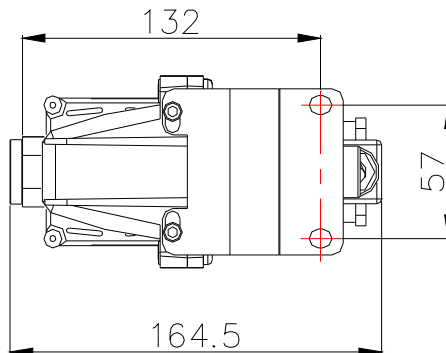
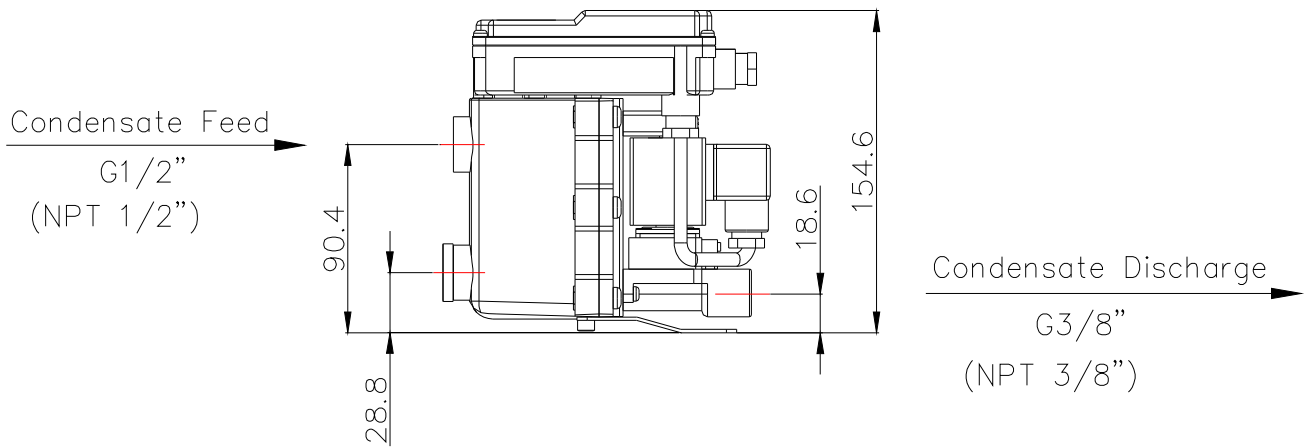
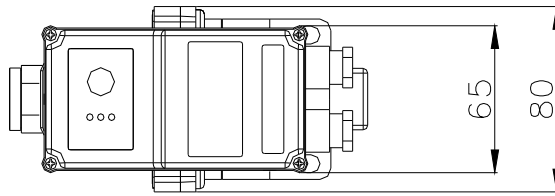
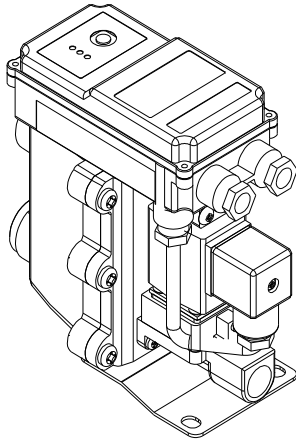
Thermostatically controlled heating (Option)

Designation	Heater Unit	
Order Ref.	A DM00-1	A DM00-2
Power	220Vac/50~60Hz/125W	110Vac/50~60Hz/125W
Operating Pressure(max)	25 bar	

with heating unit and proper insulation; down to -25 °C

DIMENSION

DRAIN MASTER S (DM-5N)



Subject to technical changes without prior notice, errors not excluded.



ISO 9001:2008 / ISO 14001 : 2004
EUROPE CE CERTIFICATION

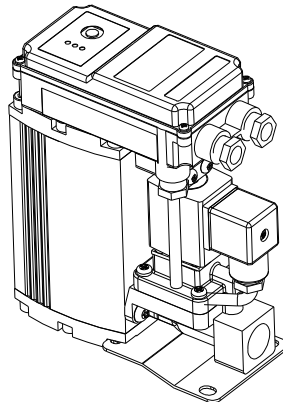


Technical Data

Condensate Auto Drain Trap

Standard

Model : DM-15



Condensate Auto Drain Trap

DRAIN MASTER S

TECHNICAL DATA

Model	DM - 15		
Order Ref.	DM 15 CA		
Working Pressure (min/max)	0.8 ~16 bar		
Temperature (min/max)	+1 °C ~ +80 °C		
Safety Class	IP 65		
Condensate Feed	G1/2"(NPT 1/2") x 2 point		
Venting Line	1/2"(NPT 1/2")		
Condensate Discharge	G1/2"(NPT 1/2")		
Weight (empty)	1.65 kg		
Scope of Application	Oil-Free Condensate or Oil-Contaminated Condensate		
Material	Housing	Aluminum, Hard coated	
	O-ring	NBR	
	Diaphragm	AU	
	PCB Board Casing	ABS	

	Climatic zone	Peak compressor performance m ³ /min	Peak dryer performance m ³ /min	Peak filter performance m ³ /min
DM-15	Green	24	48	240
	Blue	21	42	210
	Red	15	30	150

***Green** –Dry and cool climate(such as in Northern Europe, Canada, Northern states of the USA, Central Asia)

***Blue** –temperate climate(such as in Central and Southern Europe, Central America)

***Red** –humid, tropical climate(such as in the coastal regions of South-East Asia, Oceania, Amazon and Congo regions)

Discharge Capacity of DRAIN MASTER S (DM-15)

Working pressure	1 bar	2 bar	3 bar	4 bar	5 bar	6 bar	7 bar
Peak load (l/h)	43	50		59		68	

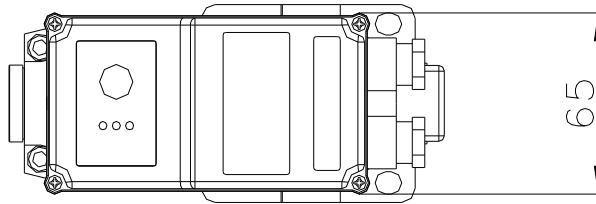
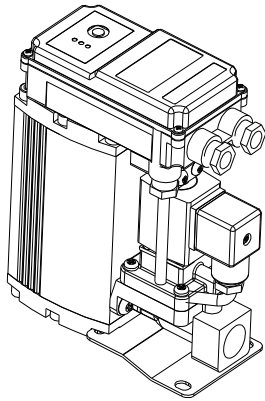
Voltage	Standard	100~240Vac(Free Voltage) / 50~60Hz	
	Order Voltages	24Vac.48Vac /24Vdc.48Vdc	
Power Input	15 VA	Fuse protection(normal lag)	0.5 A
Cable cross section	Ø 6.0 ~ 8.0 mm; 3 x 0.75mm		

Thermostatically controlled heating (Option)

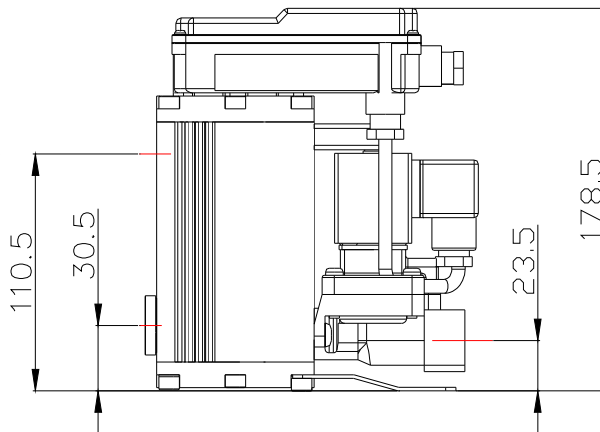
Designation	Heater Unit	
Order Ref.	A DM00-1	A DM00-2
Power	220Vac/50~60Hz/125W	110Vac/50~60Hz/125W
Operating Pressure(max)	25 bar	
with heating unit and proper insulation; down to -25 °C		

DIMENSION

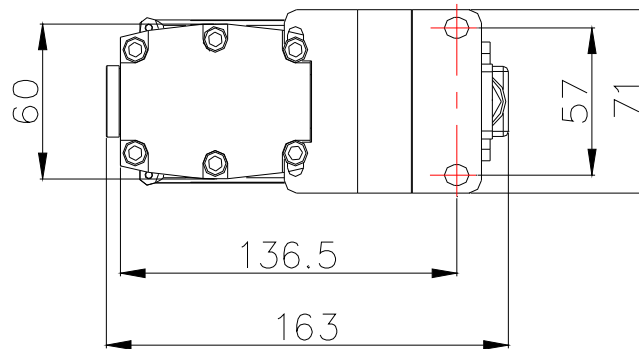
DRAIN MASTER S (DM-15)



Condensate Feed
G1/2"
(NPT 1/2")



Condensate Discharge
G1/2"
(NPT 1/2")



Subject to technical changes without prior notice, errors not excluded.



Enclosure type:
4X "Watertight"

ISO 9001:2008 / ISO 14001 : 2004
EUROPE CE CERTIFICATION

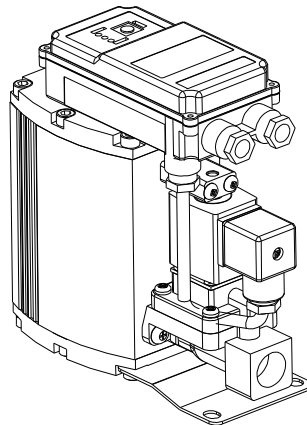


Technical Data

Condensate Auto Drain Trap

Standard

Model : DM-50



Condensate Auto Drain Trap

DRAIN MASTER S

TECHNICAL DATA

Model	DM - 50		
Order Ref.	DM 50 CA		
Working Pressure (min/max)	0.8 ~16 bar		
Temperature (min/max)	+1 °C ~ +80 °C		
Safety Class	IP 65		
Condensate Feed	G1/2"(NPT 1/2") x 2 point		
Venting Line	1/2"(NPT 1/2")		
Condensate Discharge	G1/2"(NPT 1/2")		
Weight (empty)	2.2 kg		
Scope of Application	Oil-Free Condensate or Oil-Contaminated Condensate		
Material	Housing	Aluminum, Hard coated	
	O-ring	NBR	
	Diaphragm	AU	
	PCB Board Casing	ABS	

	Climatic zone	Peak compressor performance m ³ /min	Peak dryer performance m ³ /min	Peak filter performance m ³ /min
DM-50	Green	80	160	800
	Blue	70	140	700
	Red	50	100	500

***Green** –Dry and cool climate(such as in Northern Europe, Canada, Northern states of the USA, Central Asia)

***Blue** –temperate climate(such as in Central and Southern Europe, Central America)

***Red** –humid, tropical climate(such as in the coastal regions of South-East Asia, Oceania, Amazon and Congo regions)

Discharge Capacity of DRAIN MASTER S (DM-50)

Working pressure	1 bar	2 bar	3 bar	4 bar	5 bar	6 bar	7 bar
Peak load (l/h)	85	108	126	142	158	174	192

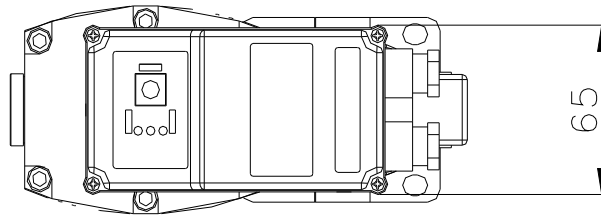
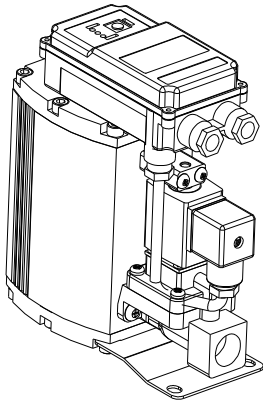
Voltage	Standard	100~240Vac(Free Voltage) / 50~60Hz	
	Order Voltages	24Vac.48Vac /24Vdc.48Vdc	
Power Input	15 VA	Fuse protection(normal lag)	0.5 A
Cable cross section	Ø 6.0 ~ 8.0 mm; 3 x 0.75mm		

Thermostatically controlled heating (Option)

Designation	Heater Unit	
Order Ref.	A DM00-1	A DM00-2
Power	220Vac/50~60Hz/125W	110Vac/50~60Hz/125W
Operating Pressure(max)	25 bar	
with heating unit and proper insulation; down to -25 °C		

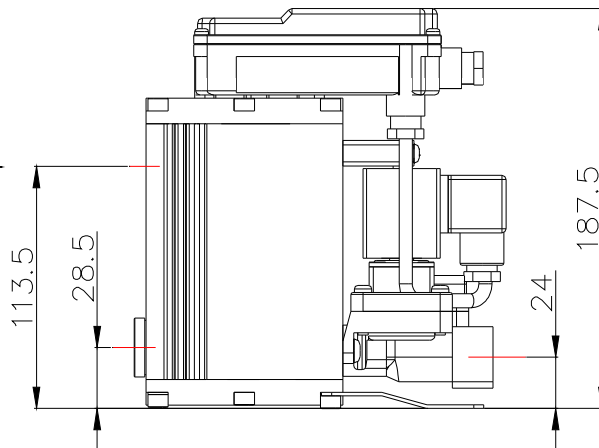
DIMENSION

DRAIN MASTER S (DM-50)



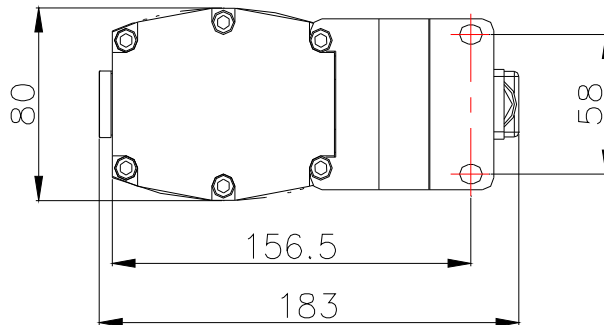
Condensate Feed

G1/2"
(NPT 1/2")



Condensate Discharge

G1/2"
(NPT 1/2")





Enclosure type:
4X "Watertight"

ISO 9001:2008 / ISO 14001 : 2004
EUROPE CE CERTIFICATION

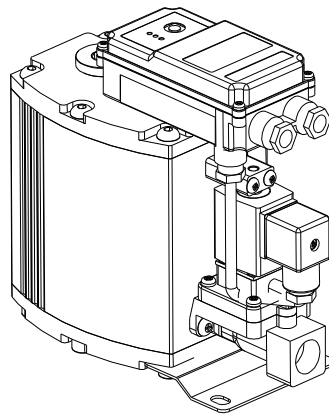


Technical Data

Condensate Auto Drain Trap

Standard

Model : DM-150



Condensate Auto Drain Trap

DRAIN MASTER S

TECHNICAL DATA

Model	DM - 150		
Order Ref.	DM 150 CA		
Working Pressure (min/max)	0.8 ~16 bar		
Temperature (min/max)	+1 °C ~ +80 °C		
Safety Class	IP 65		
Condensate Feed	G3/4"(NPT 3/4") x 3 point		
Venting Line	G3/4"(NPT 3/4")		
Condensate Discharge	G1/2"(NPT 1/2")		
Weight (empty)	3.9 kg		
Scope of Application	Oil-Free Condensate or Oil-Contaminated Condensate		
Material	Housing	Aluminum, Hard coated	
	O-ring	NBR	
	Diaphragm	AU	
	PCB Board Casing	ABS	

	Climatic zone	Peak compressor performance m ³ /min	Peak dryer performance m ³ /min	Peak filter performance m ³ /min
DM-150	Green	170	340	1700
	Blue	150	300	1500
	Red	105	210	1050

***Green** –Dry and cool climate(such as in Northern Europe, Canada, Northern states of the USA, Central Asia)

***Blue** –temperate climate(such as in Central and Southern Europe, Central America)

***Red** –humid, tropical climate(such as in the coastal regions of South-East Asia, Oceania, Amazon and Congo regions)

Discharge Capacity of DRAIN MASTER S (DM-150)

Working pressure	1 bar	2 bar	3 bar	4 bar	5 bar	6 bar	7 bar
Peak load (l/h)	180	210	240	275	310	352	400

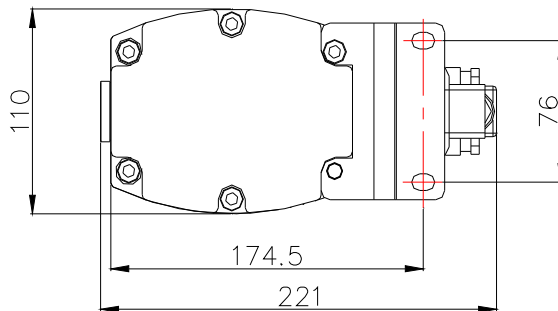
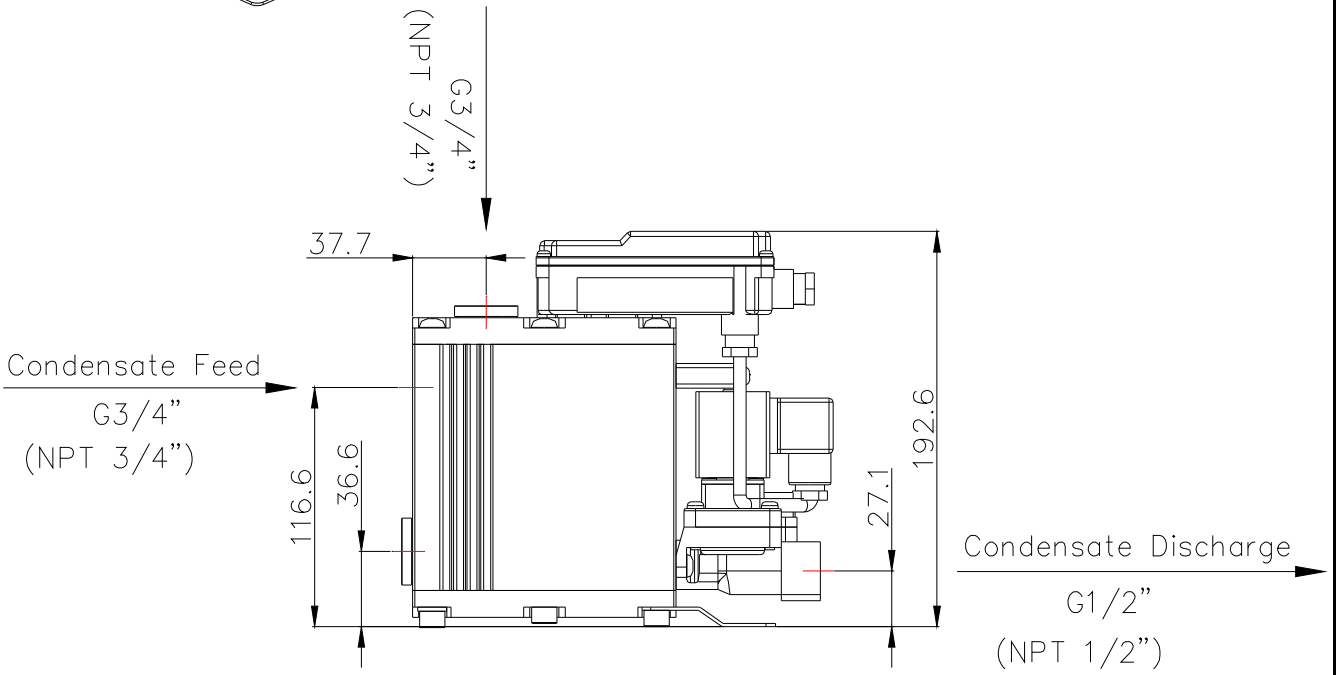
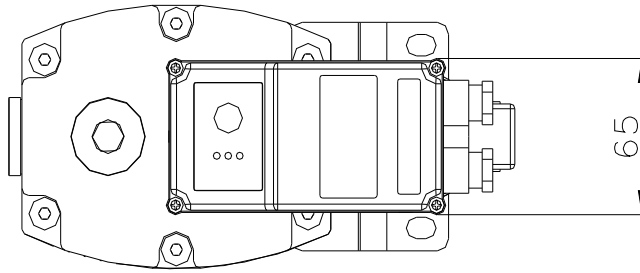
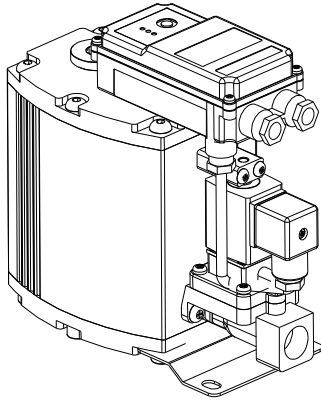
Voltage	Standard	100~240Vac(Free Voltage) / 50~60Hz	
	Order Voltages	24Vac.48Vac /24Vdc.48Vdc	
Power Input	15 VA	Fuse protection(normal lag)	0.5 A
Cable cross section	Ø 6.0 ~ 8.0 mm; 3 x 0.75mm		

Thermostatically controlled heating (Option)

Designation	Heater Unit	
Order Ref.	A DM00-1	A DM00-2
Power	220Vac/50~60Hz/125W	110Vac/50~60Hz/125W
Operating Pressure(max)	25 bar	
with heating unit and proper insulation; down to -25 °C		

DIMENSION

DRAIN MASTER S (DM-150)





ISO 9001:2008 / ISO 14001 : 2004
EUROPE CE CERTIFICATION

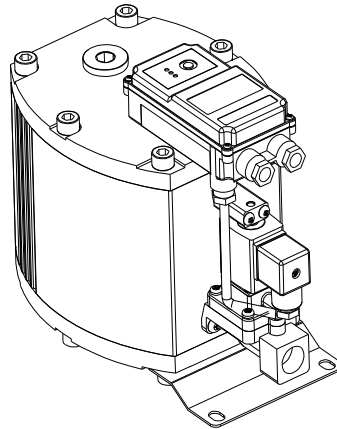


Technical Data

Condensate Auto Drain Trap

Standard

Model : DM-500



Condensate Auto Drain Trap

DRAIN MASTER S

TECHNICAL DATA

Model	DM - 500		
Order Ref.	DM 500 CA		
Working Pressure (min/max)	0.8 ~16 bar		
Temperature (min/max)	+1 °C ~ +80 °C		
Safety Class	IP 65		
Condensate Feed	G3/4"(NPT 3/4") x 3 point		
Venting Line	G3/4"(NPT 3/4")		
Condensate Discharge	G1/2"(NPT 1/2")		
Weight (empty)	6.0 kg		
Scope of Application	Oil-Free Condensate or Oil-Contaminated Condensate		
Material	Housing	Aluminum, Hard coated	
	O-ring	NBR	
	Diaphragm	AU	
	PCB Board Casing	ABS	

	Climatic zone	Peak compressor performance m ³ /min	Peak dryer performance m ³ /min	Peak filter performance m ³ /min
DM-500	Green	570	1140	.
	Blue	500	1000	.
	Red	350	700	.

***Green** –Dry and cool climate(such as in Northern Europe, Canada, Northern states of the USA, Central Asia)

***Blue** –temperate climate(such as in Central and Southern Europe, Central America)

***Red** –humid, tropical climate(such as in the coastal regions of South-East Asia, Oceania, Amazon and Congo regions)

Discharge Capacity of DRAIN MASTER S (DM-500)

Working pressure	1 bar	2 bar	3 bar	4 bar	5 bar	6 bar	7 bar
Peak load (l/h)	400	460	520	590	670	750	850

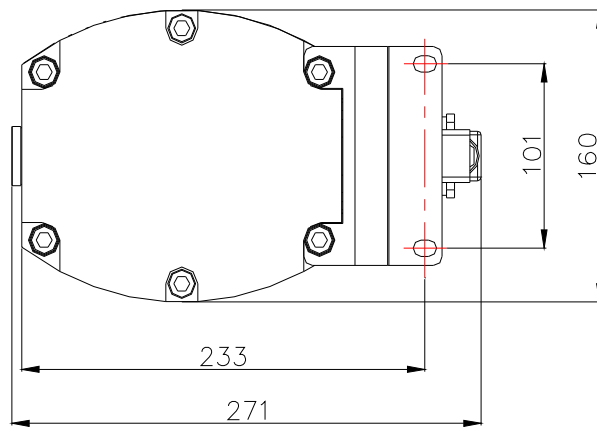
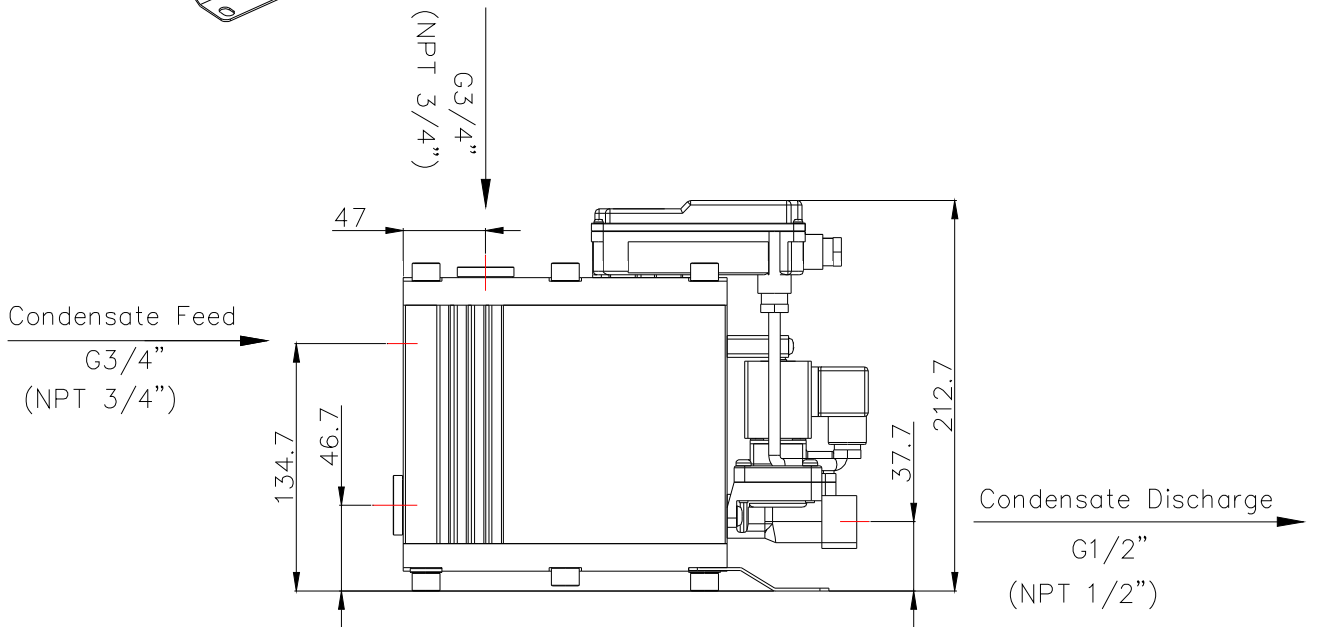
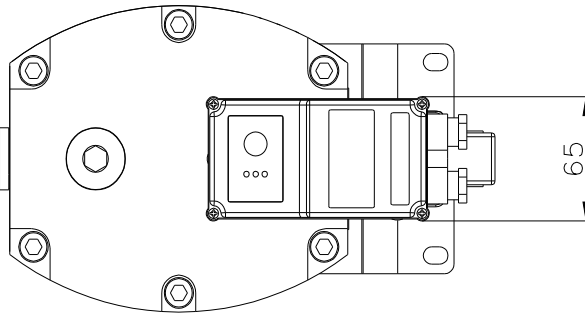
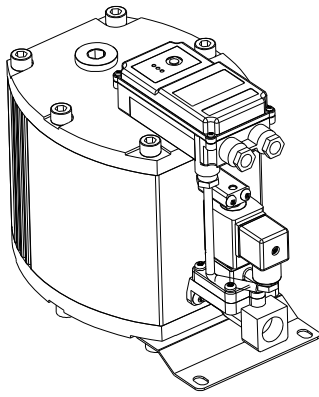
Voltage	Standard	100~240Vac(Free Voltage) / 50~60Hz	
	Order Voltages	24Vac.48Vac /24Vdc.48Vdc	
Power Input	15 VA	Fuse protection(normal lag)	0.5 A
Cable cross section	Ø 6.0 ~ 8.0 mm; 3 x 0.75mm		

Thermostatically controlled heating (Option)

Designation	Heater Unit	
Order Ref.	A DM00-1	A DM00-2
Power	220Vac/50~60Hz/125W	110Vac/50~60Hz/125W
Operating Pressure(max)	25 bar	
with heating unit and proper insulation; down to -25 °C		

DIMENSION

DRAIN MASTER S (DM-500)



Subject to technical changes without prior notice, errors not excluded.



Enclosure type:
4X "Watertight"

ISO 9001:2008 / ISO 14001 : 2004
EUROPE CE CERTIFICATION

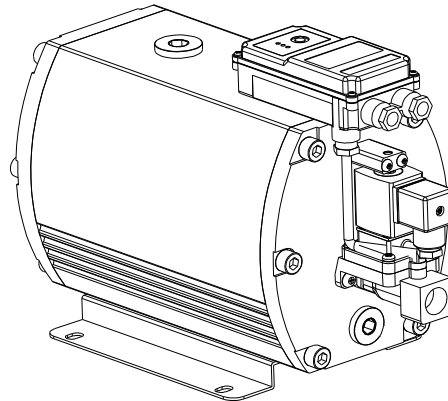


Technical Data

Condensate Auto Drain Trap

Standard

Model : DM-1500



Condensate Auto Drain Trap

DRAIN MASTER S

TECHNICAL DATA

Model	DM - 1500		
Order Ref.	DM 1500 CA		
Working Pressure (min/max)	0.8 ~16 bar		
Temperature (min/max)	+1 °C ~ +80 °C		
Safety Class	IP 65		
Condensate Feed	G3/4"(NPT 3/4") x 2 point, G1"(NPT 1") x 1 point		
Venting Line	G3/4"(NPT 3/4")		
Condensate Discharge	G1/2"(NPT 1/2")		
Weight (empty)	7.5 kg		
Scope of Application	Oil-Free Condensate or Oil-Contaminated Condensate		
Material	Housing	Aluminum, Hard coated	
	O-ring	NBR	
	Diaphragm	AU	
	PCB Board Casing	ABS	

	Climatic zone	Peak compressor performance m ³ /min	Peak dryer performance m ³ /min	Peak filter performance m ³ /min
DM-1500	Green	1750	3500	.
	Blue	1500	3000	.
	Red	1050	2100	.

***Green** –Dry and cool climate(such as in Northern Europe, Canada, Northern states of the USA, Central Asia)

***Blue** –temperate climate(such as in Central and Southern Europe, Central America)

***Red** –humid, tropical climate(such as in the coastal regions of South-East Asia, Oceania, Amazon and Congo regions)

Discharge Capacity of DRAIN MASTER S (DM-1500)

Working pressure	1 bar	2 bar	3 bar	4 bar	5 bar	6 bar	7 bar
Peak load (l/h)	950	1,150	1,320	1,400	1,460	1,580	1,700

Voltage	Standard	100~240Vac(Free Voltage) / 50~60Hz	
	Order Voltages	24Vac.48Vac /24Vdc.48Vdc	
Power Input	15 VA	Fuse protection(normal lag)	0.5 A
Cable cross section	Ø 6.0 ~ 8.0 mm; 3 x 0.75mm		

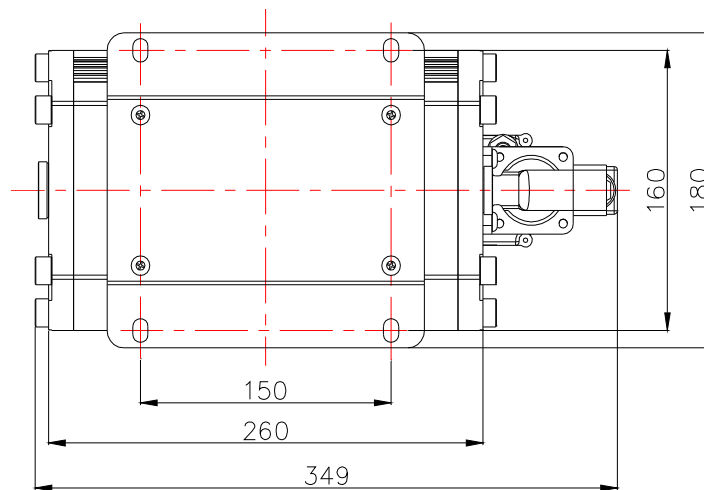
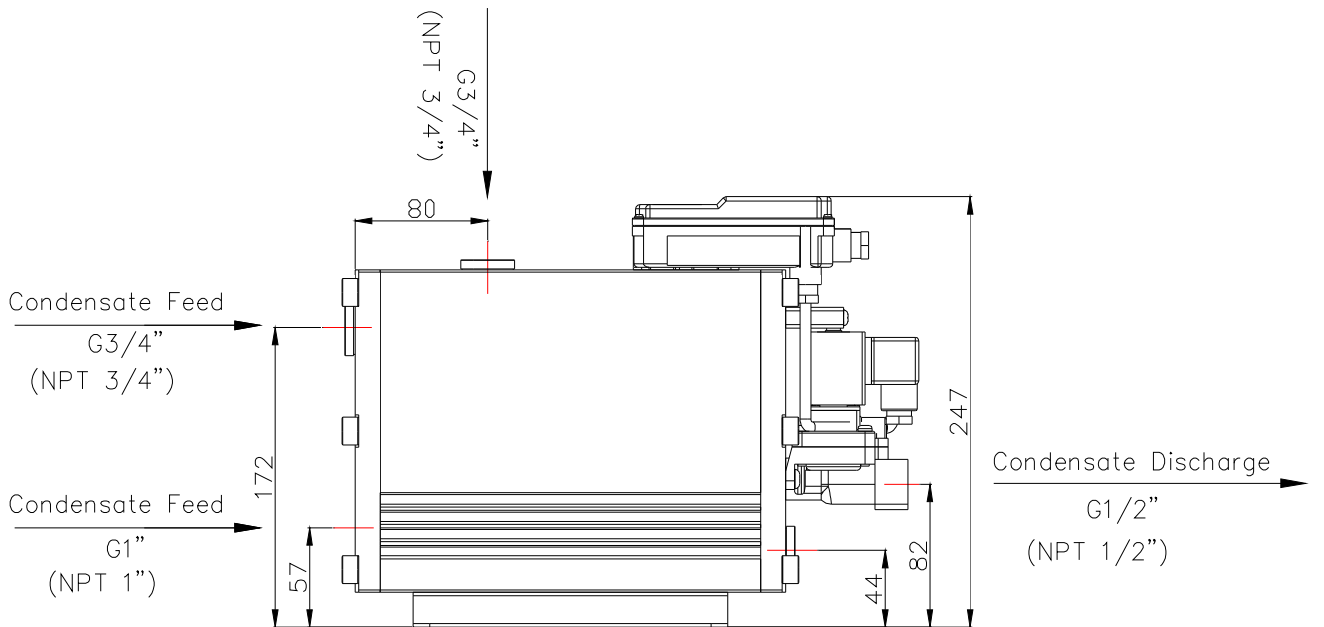
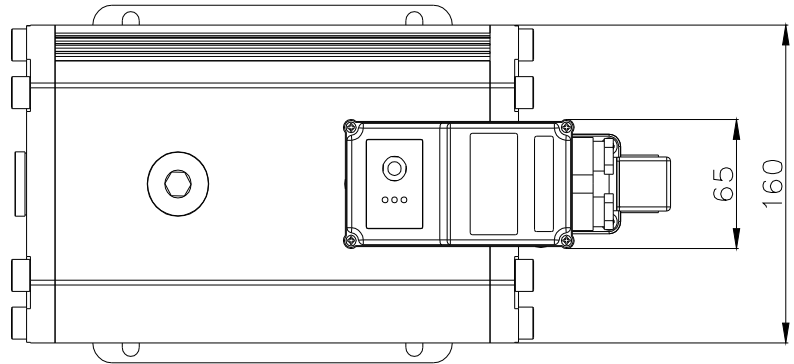
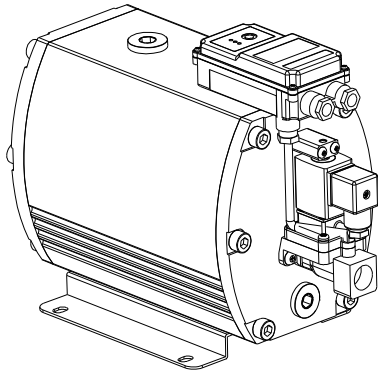
Thermostatically controlled heating (Option)

Designation	Heater Unit	
Order Ref.	A DM00-1	A DM00-2
Power	220Vac/50~60Hz/125W	110Vac/50~60Hz/125W
Operating Pressure(max)	25 bar	

with heating unit and proper insulation; down to -25 °C

DIMENSION

DRAIN MASTER S (DM-1500)



Subject to technical changes without prior notice, errors not excluded.



Enclosure type:
4X "Watertight"

ISO 9001:2008 / ISO 14001 : 2004
EUROPE CE CERTIFICATION

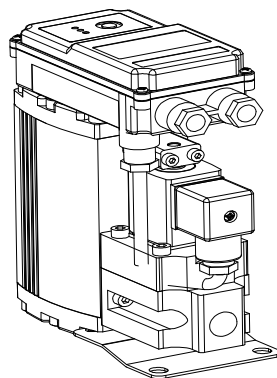


Technical Data

Condensate Auto Drain Trap

High Pressure Type

Model : DM-15HP



Condensate Auto Drain Trap

DRAIN MASTER HP

TECHNICAL DATA

Model	DM - 15HP		
Order Ref.	DM 15H CA		
Working Pressure (min/max)	1.2 ~60 bar		
Temperature (min/max)	+1 °C ~ +80 °C		
Safety Class	IP 65		
Condensate Feed	G1/2"(NPT 1/2") x 2 point		
Venting Line	1/2"(NPT 1/2")		
Condensate Discharge	G3/8"(NPT 3/8")		
Weight (empty)	1.95 kg		
Scope of Application	Oil-Free Condensate or Oil-Contaminated Condensate		
Material	Housing	Aluminium, Hardcoated	
	O-ring	NBR	
	Diaphragm	AU/FKM	
	PCB Board Casing	ABS	

	Climatic zone	Peak compressor performance m ³ /min	Peak dryer performance m ³ /min	Peak filter performance m ³ /min
DM-15HP	Green	24	48	240
	Blue	21	42	210
	Red	15	30	180

***Green** –Dry and cool climate(such as in Northern Europe, Canada, Northern states of the USA, Central Asia)

***Blue** –temperate climate(such as in Central and Southern Europe, Central America)

***Red** –humid, tropical climate(such as in the coastal regions of South-East Asia, Oceania, Amazon and Congo regions)

Discharge Capacity of DRAIN MASTER HP (DM-15HP)

Working pressure	1 bar	2 bar	3 bar	4 bar	5 bar	6 bar	7 bar
Peak load (l/h)	43	50		59		68	

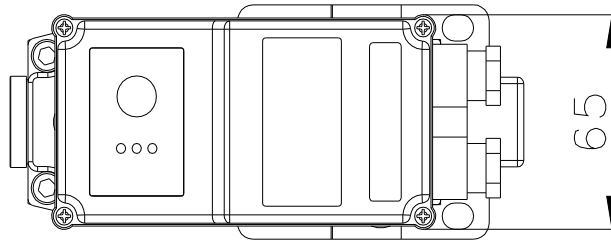
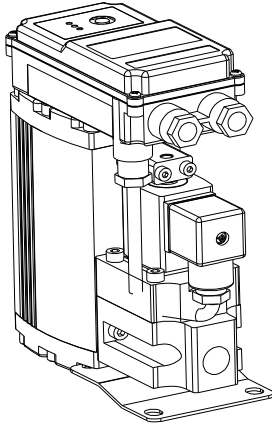
Voltage	Standard	100~240Vac(Free Voltage) / 50~60Hz	
	Order Voltages	24Vac.48Vac /24Vdc.48Vdc	
Power Input	15 VA	Fuse protection(normal lag)	0.5 A
Cable cross section	Ø 6.0 ~ 8.0 mm; 3 x 0.75mm		

Thermostatically controlled heating (Option)

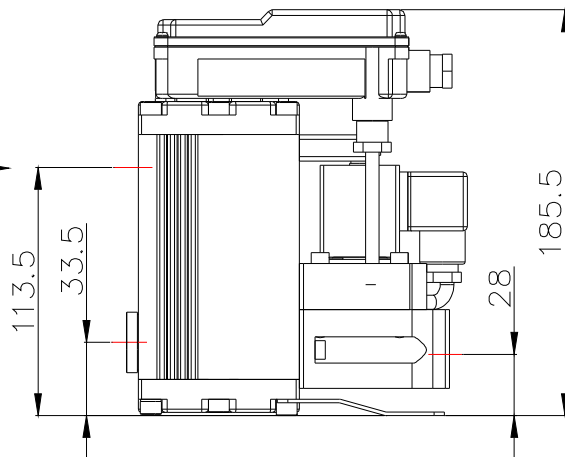
Designation	Heater Unit	
Order Ref.	A DM00-10	A DM00-20
Power	220Vac/50~60Hz/125W	110Vac/50~60Hz/125W
Operating Pressure(max)	60 bar	
with heating unit and proper insulation; down to -25 °C		

DIMENSION

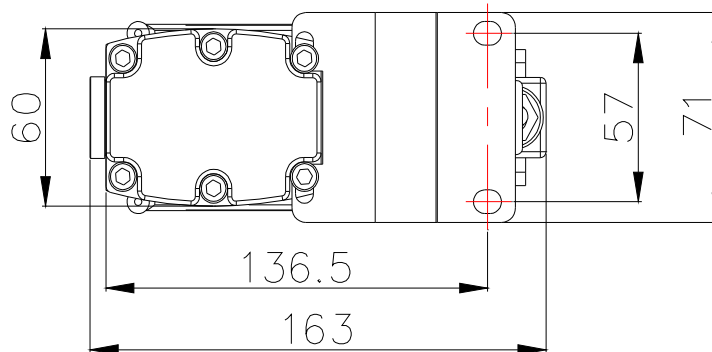
DRAIN MASTER *HP* (DM-15HP)



Condensate Feed
 G1/2"
 (NPT 1/2")



Condensate Discharge
 G3/8"
 (NPT 3/8")





ISO 9001:2008 / ISO 14001 : 2004
EUROPE CE CERTIFICATION

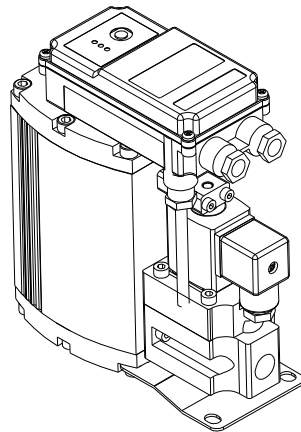


Technical Data

Condensate Auto Drain Trap

High Pressure Type

Model : DM-50HP



Condensate Auto Drain Trap

DRAIN MASTER HP

TECHNICAL DATA

Model	DM - 50HP		
Order Ref.	DM 50H CA		
Working Pressure (min/max)	1.2 ~60 bar		
Temperature (min/max)	+1 °C ~ +80 °C		
Safety Class	IP 65		
Condensate Feed	G1/2"(NPT 1/2") x 2 point		
Venting Line	1/2"(NPT 1/2")		
Condensate Discharge	G3/8"(NPT 3/8")		
Weight (empty)	2.50 kg		
Scope of Application	Oil-Free Condensate or Oil-Contaminated Condensate		
Material	Housing	Aluminium, Hardcoated	
	O-ring	NBR	
	Diaphragm	AU/FKM	
	PCB Board Casing	ABS	

	Climatic zone	Peak compressor performance m ³ /min	Peak dryer performance m ³ /min	Peak filter performance m ³ /min
DM-50HP	Green	80	160	800
	Blue	70	140	700
	Red	50	100	500

***Green** –Dry and cool climate(such as in Northern Europe, Canada, Northern states of the USA, Central Asia)

***Blue** –temperate climate(such as in Central and Southern Europe, Central America)

***Red** –humid, tropical climate(such as in the coastal regions of South-East Asia, Oceania, Amazon and Congo regions)

Discharge Capacity of DRAIN MASTER HP (DM-50HP)

Working pressure	1 bar	2 bar	3 bar	4 bar	5 bar	6 bar	7 bar
Peak load (l/h)	85	108	126	142	158	174	192

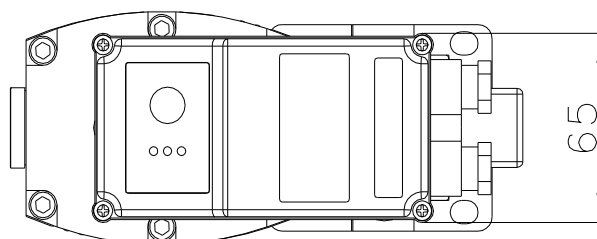
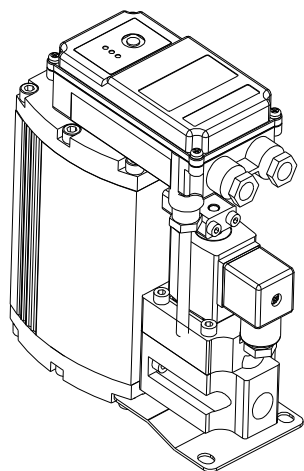
Voltage	Standard	100~240Vac(Free Voltage) / 50~60Hz	
	Order Voltages	24Vac.48Vac /24Vdc.48Vdc	
Power Input	15 VA	Fuse protection(normal lag)	0.5 A
Cable cross section	Ø 6.0 ~ 8.0 mm; 3 x 0.75mm		

Thermostatically controlled heating (Option)

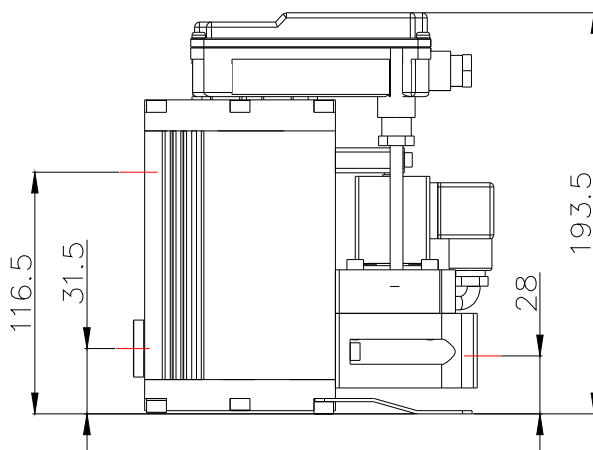
Designation	Heater Unit	
Order Ref.	A DM00-10	A DM00-20
Power	220Vac/50~60Hz/125W	110Vac/50~60Hz/125W
Operating Pressure(max)	60 bar	
with heating unit and proper insulation; down to -25 °C		

DIMENSION

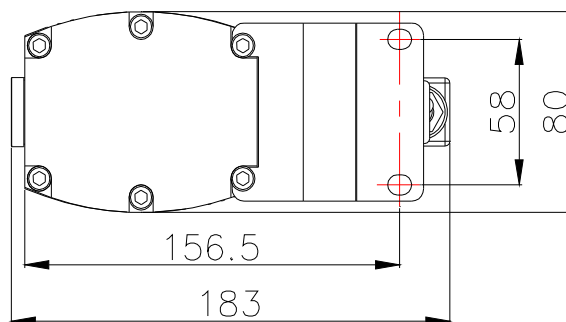
DRAIN MASTER HP (DM-50HP)



Condensate Feed
G1/2"
(NPT 1/2")



Condensate Discharge
G3/8"
(NPT 3/8")





ISO 9001:2008 / ISO 14001 : 2004
EUROPE CE CERTIFICATION

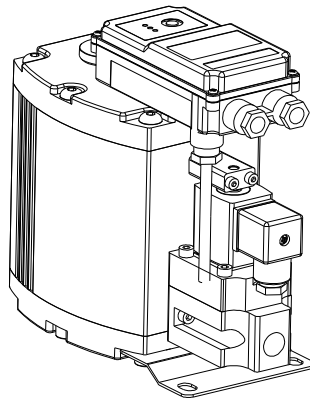


Technical Data

Condensate Auto Drain Trap

High Pressure Type

Model : DM-150HP



Condensate Auto Drain Trap

DRAIN MASTER HP

TECHNICAL DATA

Model	DM - 150HP		
Order Ref.	DM 150H CA		
Working Pressure (min/max)	1.2 ~60 bar		
Temperature (min/max)	+1 °C ~ +80 °C		
Safety Class	IP 65		
Condensate Feed	G3/4"(NPT 3/4") x 3 point		
Venting Line	G3/4"(NPT 3/4")		
Condensate Discharge	G3/8"(NPT 3/8")		
Weight (empty)	4.05 kg		
Scope of Application	Oil-Free Condensate or Oil-Contaminated Condensate		
Material	Housing	Aluminium, Hardcoated	
	O-ring	NBR	
	Diaphragm	AU/FKM	
	PCB Board Casing	ABS	

	Climatic zone	Peak compressor performance m ³ /min	Peak dryer performance m ³ /min	Peak filter performance m ³ /min
DM-150HP	Green	170	340	1700
	Blue	150	300	1500
	Red	105	210	1050

***Green** –Dry and cool climate(such as in Northern Europe, Canada, Northern states of the USA, Central Asia)

***Blue** –temperate climate(such as in Central and Southern Europe, Central Americal)

***Red** –humid, tropical climate(such as in the coastal regions of South-East Asia, Oceania, Amazon and Congo regions)

Discharge Capacity of DRAIN MASTER HP(DM-150HP)

Working pressure	1 bar	2 bar	3 bar	4 bar	5 bar	6 bar	7 bar
Peak load (l/h)	180	210	240	275	310	352	400

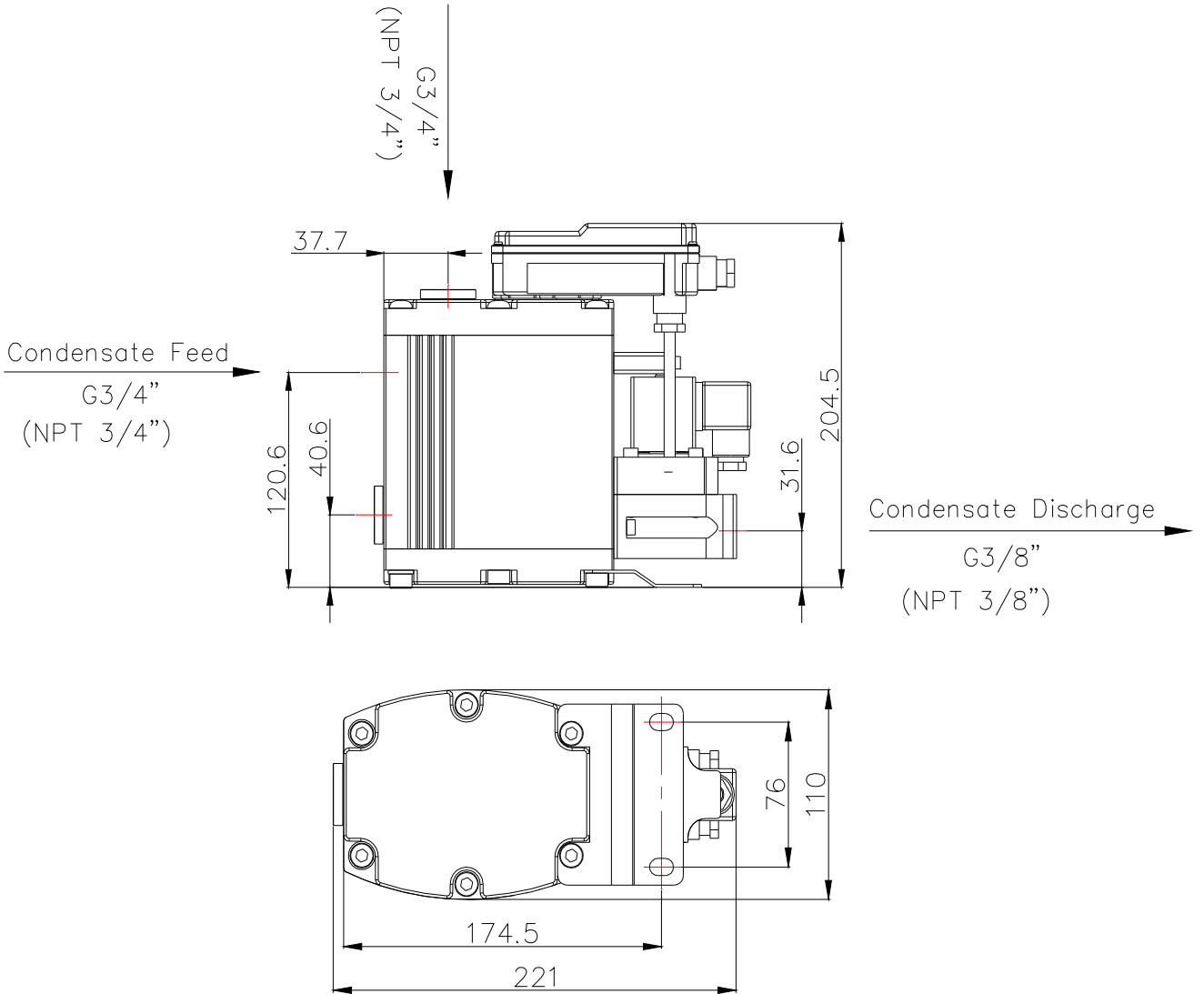
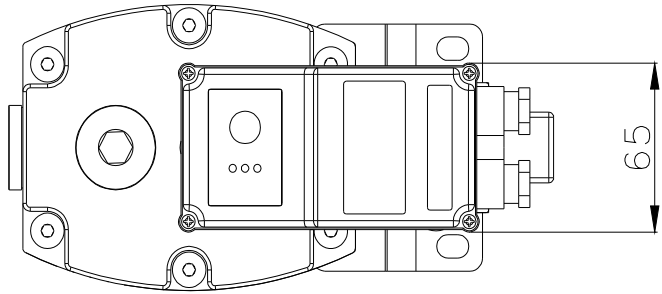
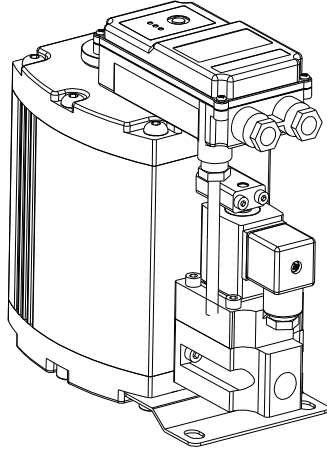
Voltage	Standard	100~240Vac(Free Voltage) / 50~60Hz	
	Order Voltages	24Vac.48Vac /24Vdc.48Vdc	
Power Input	15 VA	Fuse protection(normal lag)	0.5 A
Cable cross section	Ø 6.0 ~ 8.0 mm; 3 x 0.75mm		

Thermostatically controlled heating (Option)

Designation	Heater Unit	
Order Ref.	A DM00-10	A DM00-20
Power	220Vac/50~60Hz/125W	110Vac/50~60Hz/125W
Operating Pressure(max)	60 bar	
with heating unit and proper insulation; down to -25 °C		

DIMENSION

DRAIN MASTER HP (DM-150HP)



Subject to technical changes without prior notice, errors not excluded.



ISO 9001:2008 / ISO 14001 : 2004
EUROPE CE CERTIFICATION

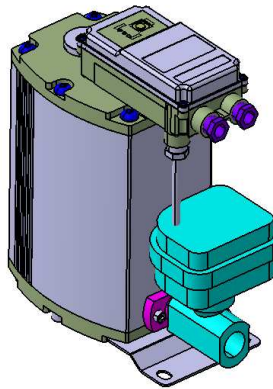


Technical Data

Condensate Auto Drain Trap

Electric Actuator Ball Valve Type

Model : DM-150B



Condensate Auto Drain Trap

DRAIN MASTER B

TECHNICAL DATA

Model	DM - 150B		
Order Ref.	DM 150 BA		
Working Pressure (min/max)	0 ~16 bar		
Temperature (min/max)	+1 °C ~ +80 °C		
Safety Class	IP 65		
Condensate Feed	G3/4"(NPT 3/4") x 3 point		
Venting Line	G3/4"(NPT 3/4")		
Condensate Discharge	G1/2"(NPT 1/2")		
Weight (empty)	3.9 kg		
Scope of Application	Oil-Free Condensate or Oil-Contaminated Condensate		
Material	Housing	Aluminium, Hardcoated	
	O-ring	NBR	
	Valve	Body : SCS13A . Ball : SUS 304	
	PCB Board Casing	ABS	

	Climatic zone	Peak compressor performance m ³ /min	Peak dryer performance m ³ /min	Peak filter performance m ³ /min
DM-150B	Green	170	340	1700
	Blue	150	300	1500
	Red	105	210	1050

***Green** –Dry and cool climate(such as in Northern Europe, Canada, Northern states of the USA, Central Asia)

***Blue** –temperate climate(such as in Central and Southern Europe, Central America)

***Red** –humid, tropical climate(such as in the coastal regions of South-East Asia, Oceania, Amazon and Congo regions)

Discharge Capacity of DRAIN MASTER B (DM-150B)

Working pressure	1 bar	2 bar	3 bar	4 bar	5 bar	6 bar	7 bar
Peak load (l/h)	180	210	240	275	310	352	400

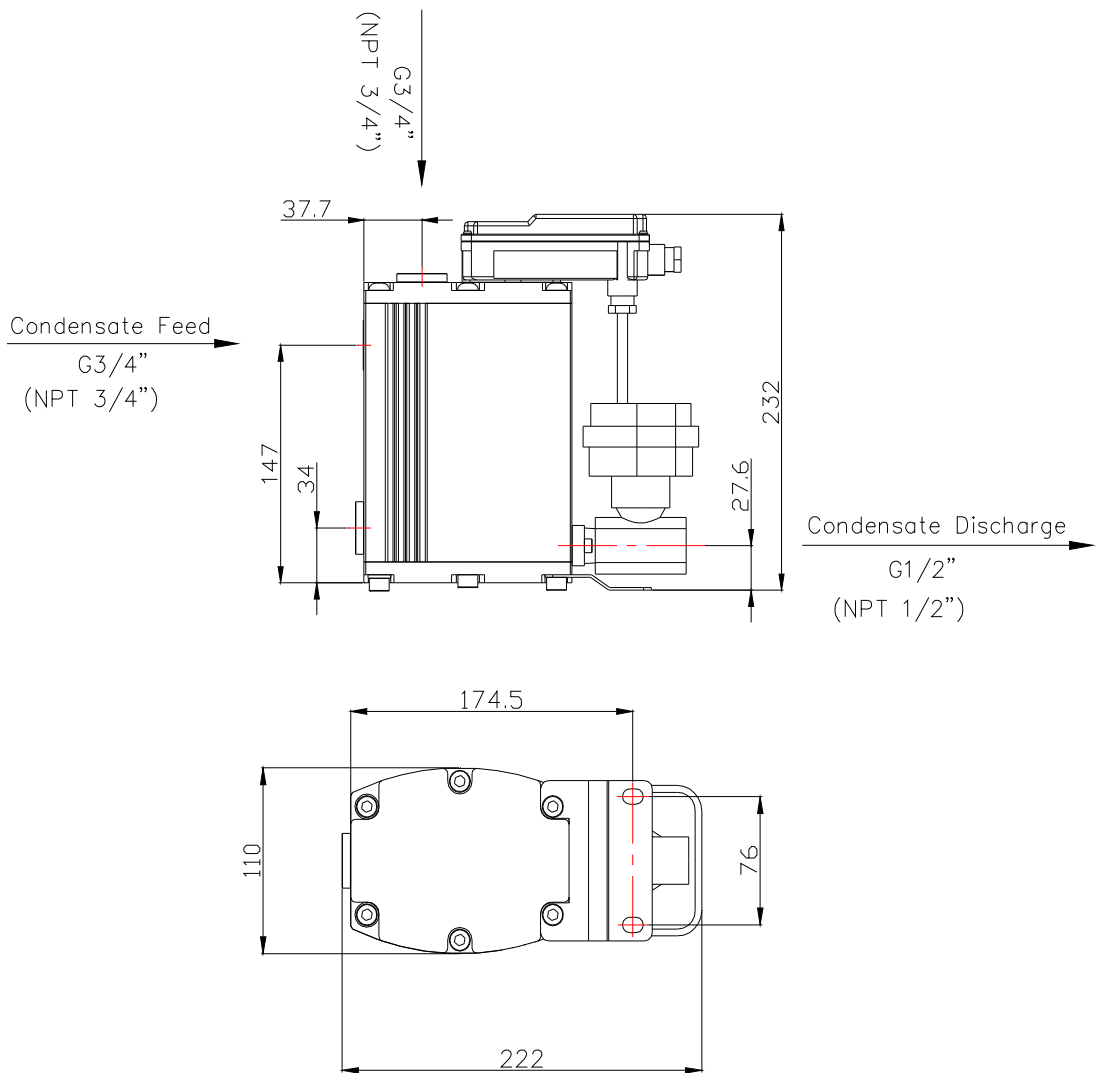
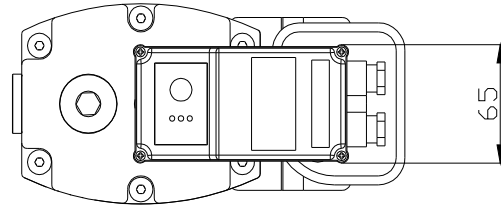
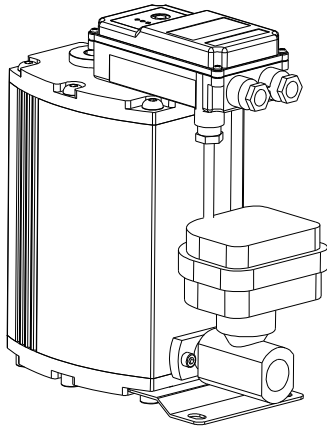
Voltage	Standard	100~240Vac(Free Voltage) / 50~60Hz	
	Order Voltages	24Vac.48Vac /24Vdc.48Vdc	
Power Input	10 VA	Fuse protection(normal lag)	0.5 A
Cable cross section	Ø 6.0 ~ 8.0 mm; 3 x 0.75mm		

Thermostatically controlled heating (Option)

Designation	Heater Unit	
Order Ref.	A DM00-1	A DM00-2
Power	220Vac/50~60Hz/125W	110Vac/50~60Hz/125W
Operating Pressure(max)	25 bar	
with heating unit and proper insulation; down to -25 °C		

DIMENSION

DRAIN MASTER B (DM-150B)



Subject to technical changes without prior notice, errors not excluded.



ISO 9001:2008 / ISO 14001 : 2004
EUROPE CE CERTIFICATION

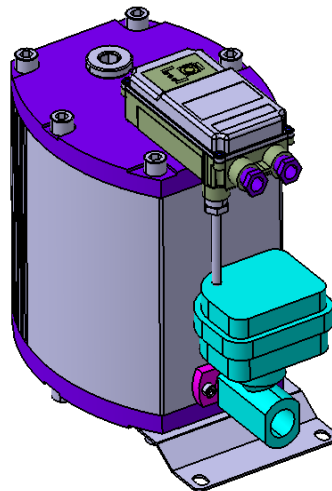


Technical Data

Condensate Auto Drain Trap

Electric Actuator Ball Valve Type

Model : DM-500B



Condensate Auto Drain Trap

DRAIN MASTER B

TECHNICAL DATA

Model	DM - 500B		
Order Ref.	DM 500 BA		
Working Pressure (min/max)	0 ~16 bar		
Temperature (min/max)	+1°C ~ +80°C		
Safety Class	IP 65		
Condensate Feed	G3/4"(NPT 3/4") x 3 point		
Venting Line	G3/4"(NPT 3/4")		
Condensate Discharge	G3/4"(NPT 3/4")		
Weight (empty)	6.0 kg		
Scope of Application	Oil-Free Condensate or Oil-Contaminated Condensate		
Material	Housing	Aluminium, Hardcoated	
	O-ring	NBR	
	Valve	Body : SCS13A . Ball : SUS 304	
	PCB Board Casing	ABS	

	Climatic zone	Peak compressor performance m ³ /min	Peak dryer performance m ³ /min	Peak filter performance m ³ /min
DM-500B	Green	570	1140	.
	Blue	500	1000	.
	Red	350	700	.

*Green -Dry and cool climate(such as in Northern Europe, Canada, Northern states of the USA, Central Asia)

*Blue -temperate climate(such as in Central and Southern Europe, Central America)

*Red -humid, tropical climate(such as in the coastal regions of South-East Asia, Oceania, Amazon and Congo regions)

Discharge Capacity of DRAIN MASTER B (DM-500B)

Working pressure	1 bar	2 bar	3 bar	4 bar	5 bar	6 bar	7 bar
Peak load (l/h)	400	460	520	590	670	750	850

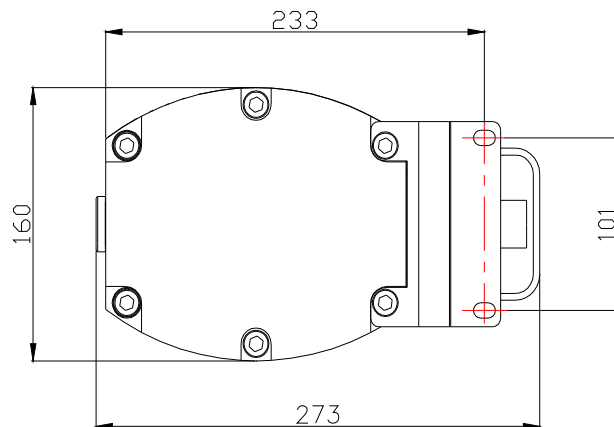
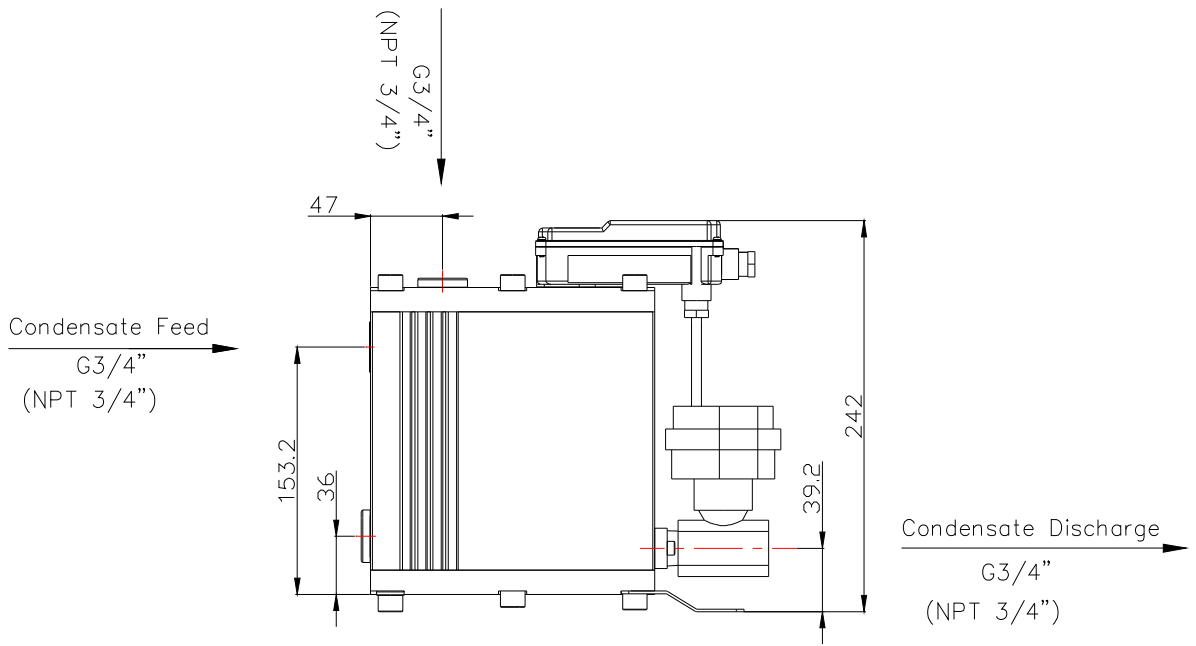
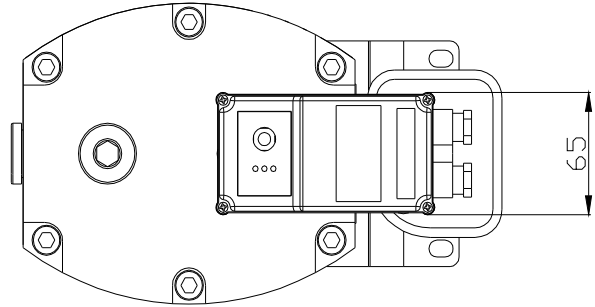
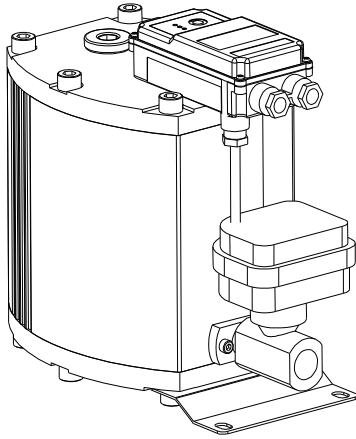
Voltage	Standard	100~240Vac(Free Voltage) / 50~60Hz	
	Order Voltages	24Vac.48Vac /24Vdc.48Vdc	
Power Input	10 VA	Fuse protection(normal lag)	0.5 A
Cable cross section	Ø 6.0 ~ 8.0 mm; 3 x 0.75mm		

Thermostatically controlled heating (Option)

Designation	Heater Unit	
Order Ref.	A DM00-1	A DM00-2
Power	220Vac/50~60Hz/125W	110Vac/50~60Hz/125W
Operating Pressure(max)	25 bar	
with heating unit and proper insulation; down to -25°C		

DIMENSION

DRAIN MASTER B (DM-500B)





ISO 9001:2008 / ISO 14001 : 2004
EUROPE CE CERTIFICATION

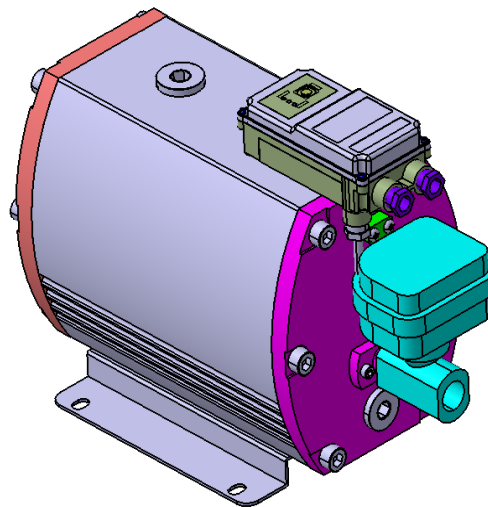


Technical Data

Condensate Auto Drain Trap

Electric Actuator Ball Valve Type

Model : DM-1500B



Condensate Auto Drain Trap

DRAIN MASTER B

TECHNICAL DATA

Model	DM - 1500B		
Order Ref.	DM 1500 BA		
Working Pressure (min/max)	0 ~16 bar		
Temperature (min/max)	+1 °C ~ +80 °C		
Safety Class	IP 65		
Condensate Feed	G3/4"(NPT 3/4") x 2 point, G1"(NPT 1") x 1 point		
Venting Line	G3/4"(NPT 3/4")		
Condensate Discharge	G3/4"(NPT 3/4")		
Weight (empty)	7.5 kg		
Scope of Application	Oil-Free Condensate or Oil-Contaminated Condensate		
Material	Housing	Aluminium, Hardcoated	
	O-ring	NBR	
	Valve	Body : SCS13A . Ball : SUS 304	
	PCB Board Casing	ABS	

	Climatic zone	Peak compressor performance m ³ /min	Peak dryer performance m ³ /min	Peak filter performance m ³ /min
DM-1500B	Green	1750	3500	.
	Blue	1500	3000	.
	Red	1050	2100	.

***Green** -Dry and cool climate(such as in Northern Europe, Canada, Northern states of the USA, Central Asia)

***Blue** -temperate climate(such as in Central and Southern Europe, Central America)

***Red** -humid, tropical climate(such as in the coastal regions of South-East Asia, Oceania, Amazon and Congo regions)

Discharge Capacity of DRAIN MASTER B (DM-1500B)

Working pressure	1 bar	2 bar	3 bar	4 bar	5 bar	6 bar	7 bar
Peak load (l/h)	950	1,150	1,320	1,400	1,460	1,580	1,700

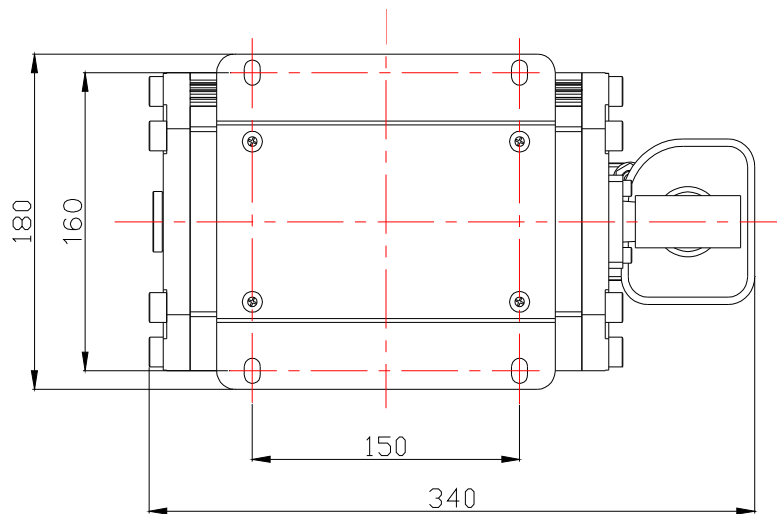
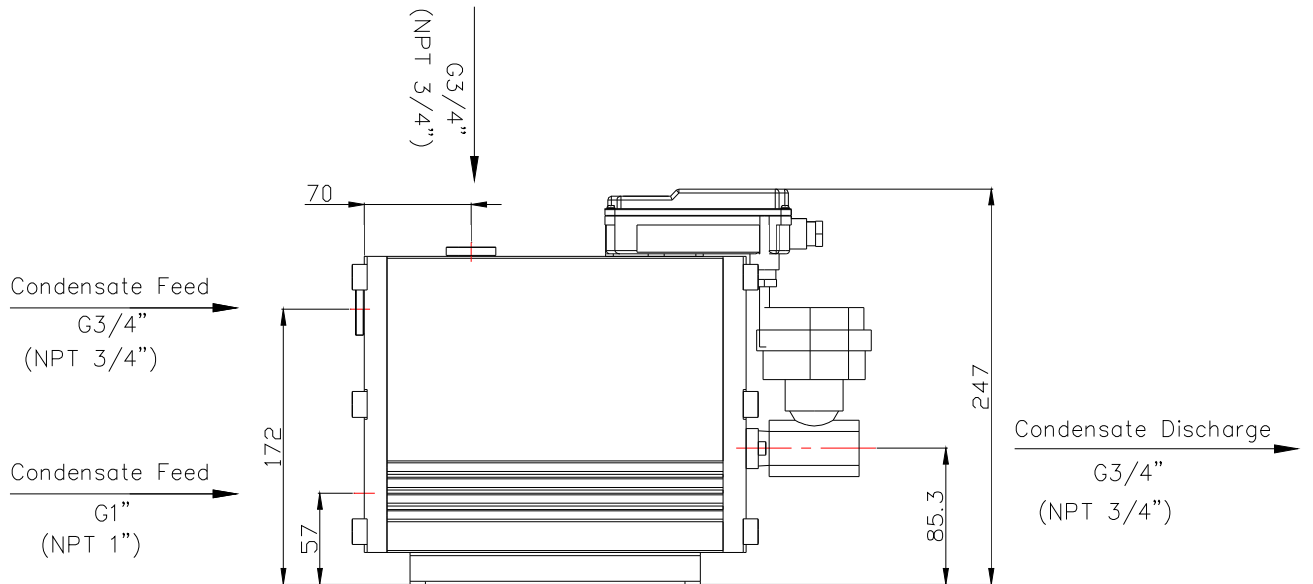
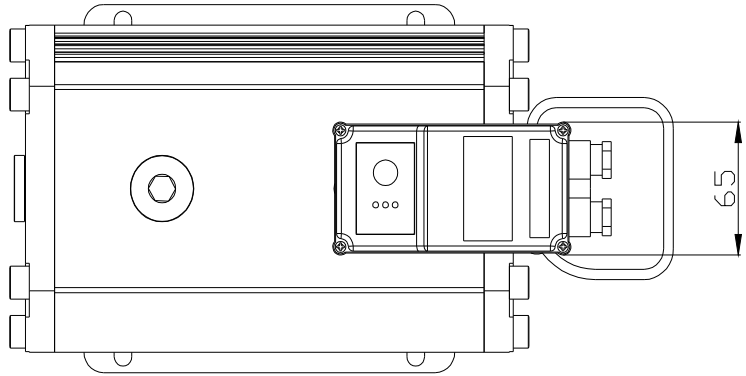
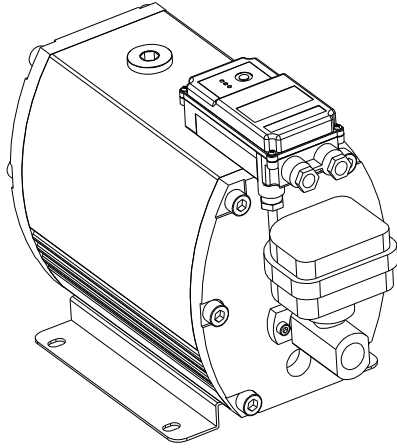
Voltage	Standard	100~240Vac(Free Voltage) / 50~60Hz					
	Order Voltages	24Vac.48Vac /24Vdc.48Vdc					
Power Input	10 VA	Fuse protection(normal lag)				0.5 A	
Cable cross section	Ø 6.0 ~ 8.0 mm; 3 x 0.75mm						

Thermostatically controlled heating (Option)

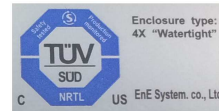
Designation	Heater Unit	
Order Ref.	A DM00-1	A DM00-2
Power	220Vac/50~60Hz/125W	110Vac/50~60Hz/125W
Operating Pressure(max)	25 bar	
with heating unit and proper insulation; down to -25 °C		

DIMENSION

DRAIN MASTER B (DM-1500B)



Subject to technical changes without prior notice, errors not excluded.



Enclosure type:
4X "Watertight"

ISO 9001:2008 / ISO 14001 : 2004
EUROPE CE CERTIFICATION

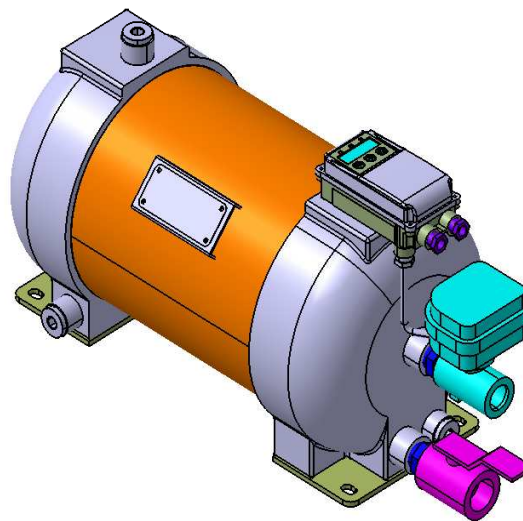


Technical Data

Condensate Auto Drain Trap

Electric Actuator Ball Valve Type

Model : DM-2500B



Condensate Auto Drain Trap

DRAIN MASTER B

TECHNICAL DATA

Model	DM - 2500B		
Order Ref.	DM 2500 BA		
Working Pressure (min/max)	0 ~12 bar		
Temperature (min/max)	+1℃ ~ +80℃		
Safety Class	IP 65		
Condensate Feed	G1"(NPT 1") x 1 point		
Venting Line	G1/2"(NPT 1/2")		
Condensate Discharge	G3/4"(NPT 3/4")		
Hand operated discharge	G3/4"(NPT 3/4")		
Weight (empty)	28.0 kg		
Scope of Application	Oil-Free Condensate or Oil-Contaminated Condensate		
Material	Housing	Stainless steel(No.1.4571 / SUS304)	
	O-ring	NBR	
	Valve	Body : SCS13A . Ball : SUS 304	
	PCB Board Casing	ABS	

	Climatic zone	Peak compressor performance m ³ /min	Peak dryer performance m ³ /min	Peak filter performance m ³ /min
DM-2500B	Green	2900	5800	.
	Blue	2500	5000	.
	Red	1750	3500	.

***Green** -Dry and cool climate(such as in Northern Europe, Canada, Northern states of the USA, Central Asia)

***Blue** -temperate climate(such as in Central and Southern Europe, Central America)

***Red** -humid, tropical climate(such as in the coastal regions of South-East Asia, Oceania, Amazon and Congo regions)

Discharge Capacity of DRAIN MASTER B (DM-2500B)

Working pressure	1 bar	2 bar	4 bar	6 bar	8 bar	10 bar	12 bar
Peak load (l/h)	1,650	2,450	3,380	3,950	4,220	4,450	4,950

Voltage	Standard	100~240Vac(Free Voltage) / 50~60Hz					
	Order Voltages	24Vac.48Vac /24Vdc.48Vdc					
Power Input	10 VA	Fuse protection(normal lag)				0.5 A	
Cable cross section	Ø 6.0 ~ 8.0 mm; 3 x 0.75mm						

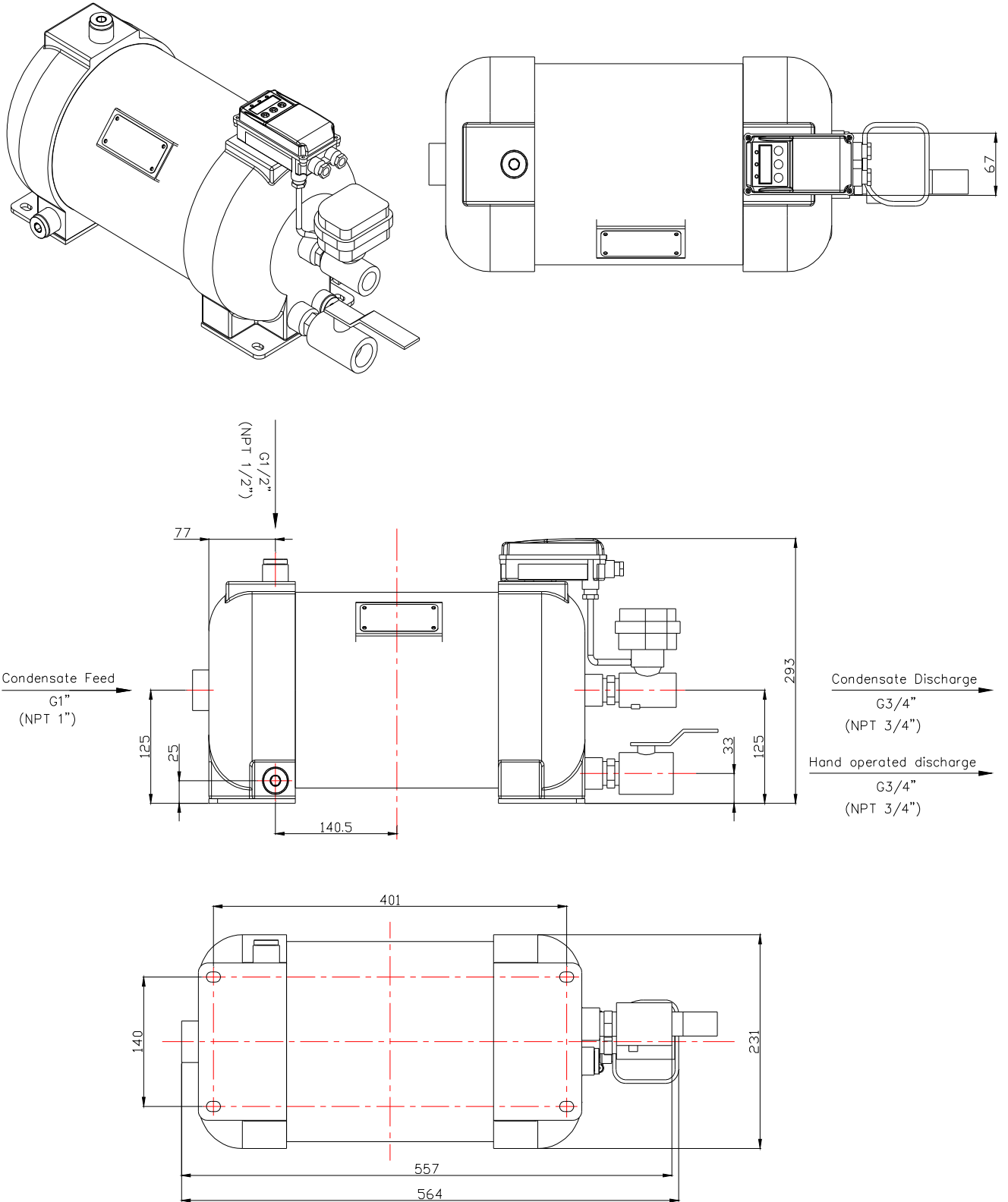
Thermostatically controlled heating (Option)

Designation	Heater Unit	
Order Ref.	A DM01-1	A DM01-2
Power	220Vac/50~60Hz/180W	110Vac/50~60Hz/180W
Operating Pressure(max)	25 bar	

with heating unit and proper insulation; down to -25℃

DIMENSION

DRAIN MASTER B (DM-2500B)



Subject to technical changes without prior notice, errors not excluded.



Enclosure type:
4X "Watertight"

ISO 9001:2008 / ISO 14001 : 2004
EUROPE CE CERTIFICATION

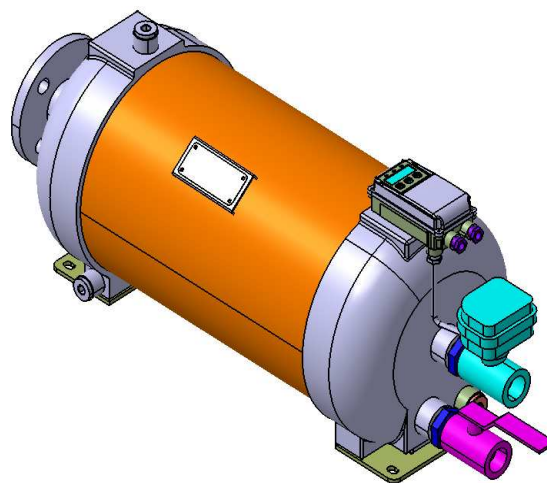


Technical Data

Condensate Auto Drain Trap

Electric Actuator Ball Valve Type

Model : DM-5000B



Condensate Auto Drain Trap**DRAIN MASTER B****TECHNICAL DATA**

Model	DM - 5000B		
Order Ref.	DM 5000 BA		
Working Pressure (min/max)	0 ~12 bar		
Temperature (min/max)	+1 °C ~ +80 °C		
Safety Class	IP 65		
Condensate Feed	FL 2" x 1 point		
Venting Line	G1/2"(NPT 1/2")		
Condensate Discharge	G 1"(NPT 1")		
Hand operated discharge	G1"(NPT 1")		
Weight (empty)	40.0 kg		
Scope of Application	Oil-Free Condensate or Oil-Contaminated Condensate		
Material	Housing	Stainless steel(No.1.4571 / SUS304)	
	O-ring	NBR	
	Valve	Body : SCS13A . Ball : SUS 304	
	PCB Board Casing	ABS	

	Climatic zone	Peak compressor performance m ³ /min	Peak dryer performance m ³ /min	Peak filter performance m ³ /min
DM-5000B	Green	5800	.	.
	Blue	5000	.	.
	Red	3500	.	.

*Green -Dry and cool climate(such as in Northern Europe, Canada, Northern states of the USA, Central Asia)

*Blue -temperate climate(such as in Central and Southern Europe, Central America)

*Red -humid, tropical climate(such as in the coastal regions of South-East Asia, Oceania, Amazon and Congo regions)

Discharge Capacity of DRAIN MASTER B (DM-5000B)

Working pressure	1 bar	2 bar	4 bar	6 bar	8 bar	10 bar	12 bar
Peak load (l/h)	3,300	4,900	6,750	7,900	8,450	8,890	9,850

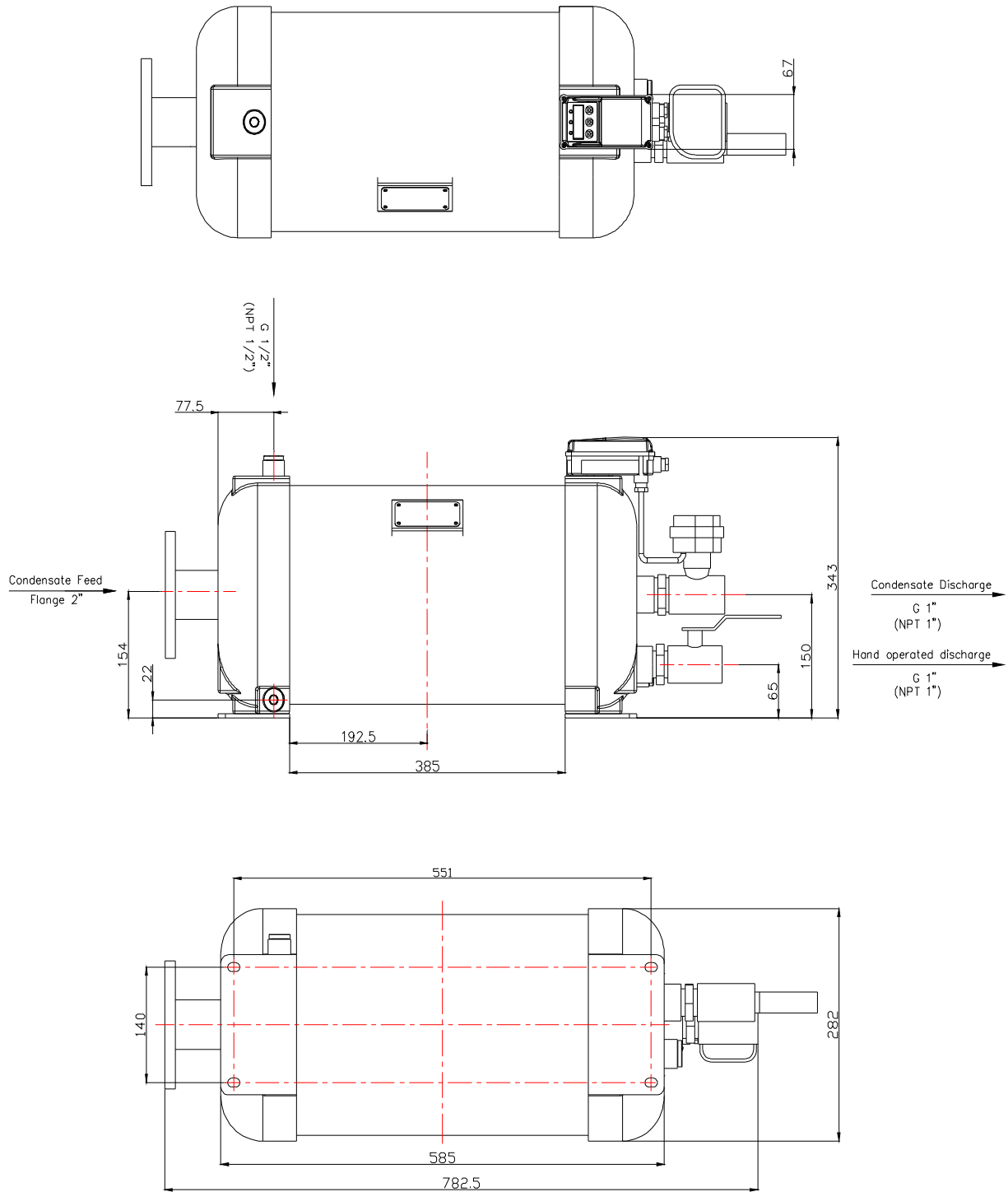
Voltage	Standard	100~240Vac(Free Voltage) / 50~60Hz					
	Order Voltages	24Vac.48Vac /24Vdc.48Vdc					
Power Input	10 VA	Fuse protection(normal lag)				0.5 A	
Cable cross section	Ø 6.0 ~ 8.0 mm; 3 x 0.75mm						

Thermostatically controlled heating (Option)

Designation	Heater Unit	
Order Ref.	A DM01-1	A DM01-2
Power	220Vac/50~60Hz/180W	110Vac/50~60Hz/180W
Operating Pressure(max)	25 bar	
with heating unit and proper insulation; down to -25 °C		

DIMENSION

DRAIN MASTER B (DM-5000B)



Subject to technical changes without prior notice, errors not excluded.



DRAIN MASTER

Condensate Auto Drain Trap

DRAINMASTER V

Auto Drain Trap for Vacuum System



TECHNICAL DATA	DM-150BV
-----------------------	-----------------

Housing protection : IP 65

Model		DM-150BV
Order Ref.		DM 150 BV
Condensate Discharge(max)		45 ℓ / hr
Vacuum System		(-1.5~1.5 bar)
Operating Pressure(min/max)		
Control Air Pressure(min/max)		2~6 bar
Temperature(min/max)		+1℃ ~ +80℃
Condensate Inlet		3/4"
Condensate Discharge		1/2"
Weight		4.2 kg
Application		Vacunm System
Power	Standard	Free Voltage 90~ 240 Vac / 50~60Hz / 1P
	Order Voltages	24Vac.48Vac /12Vdc.24 Vdc
Material	Housing	Aluminium, Hardcoated
	O-ring	NBR
	Valve	Body SCS13A / Ball SUS 304
	Casing	PP
Switching sequence of valve in alarm mode (알람 모드시 밸브 연속 개폐시간)		

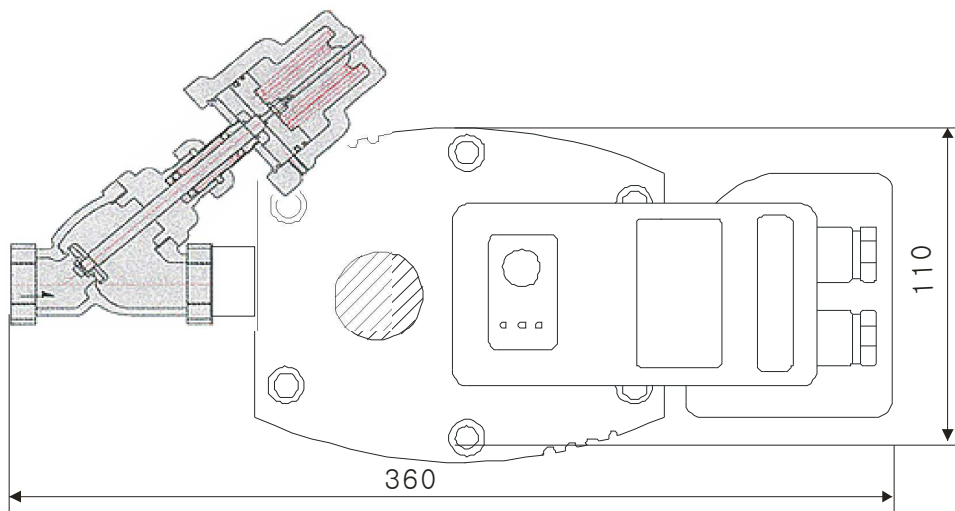
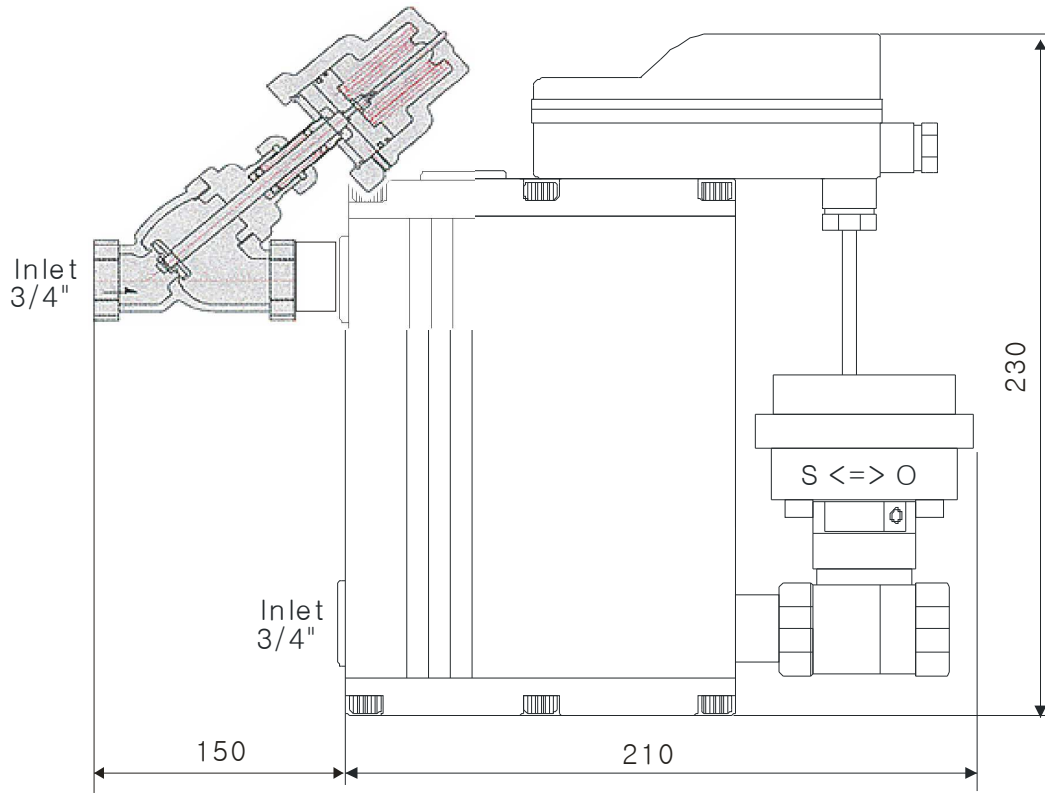
*최소/최대 온도를 초과하지 않아야한다.(+1℃ ~ +80℃)

*결빙지역에서는 자동 온도조절장치(Option)를 부착하여야 한다.

TYPE	Heater Unit	
Order Ref.	A DM00-1	A DM00-2
Power	220Vac/50~60Hz/125W	110Vac/50~60Hz/125W
Operating Pressure(max)	25 bar	
Temperature(min/max)	-25℃ ~ +80℃	

DIMENSION

DM-150BV





Enclosure type:
4X "Watertight"

**ISO 9001:2008 / ISO 14001 : 2004
EUROPE CE CERTIFICATION**



Technical Data

Condensate Auto Drain Trap

VACUNM

Model : DM-1500BV



TECHNICAL DATA

DM-1500BV

Housing protection : IP 65

Model		DM-1500 BV
Order Ref.		DM 1500 BV
Condensate Discharge(max)		180 ℓ / hr
Vacuum Operating Pressure(max)		1.8 bar
Control Air Pressure(min/max)		4~8 bar
Temperature(min/max)		+1 °C ~ +80 °C
Condensate Inlet		3/4"
Condensate Discharge		1/2"
Weight		8.0 kg
Application		Vacunm System
Power	Standard	Free Voltage 90~ 260 Vac / 50~60Hz / 1P
	Order Voltages	24Vac.48Vac /12Vdc.24 Vdc
Material	Housing	Aluminium, Hardcoated
	O-ring	NBR
	Valve	Body SCS13A / Ball SUS 304
	Casing	PP
Switching sequence of valve in alarm mode (알람 모드시 밸브 연속 개폐시간)		

*최소/최대 온도를 초과하지 않아야한다.(+1 °C ~ +80 °C)

*결빙지역에서는 자동 온도조절장치(Option)를 부착하여야 한다.

TYPE	Heater Unit	
Order Ref.	A DM00-1	A DM00-2
Power	220Vac/50~60Hz/125W	110Vac/50~60Hz/125W
Operating Pressure(max)	25 bar	
Temperature(min/max)	-25 °C ~ +80 °C	

VACUNM - Condensate Auto Drain Trap

DRAIN MASTER V

DIMENSION

DM-1500BV

