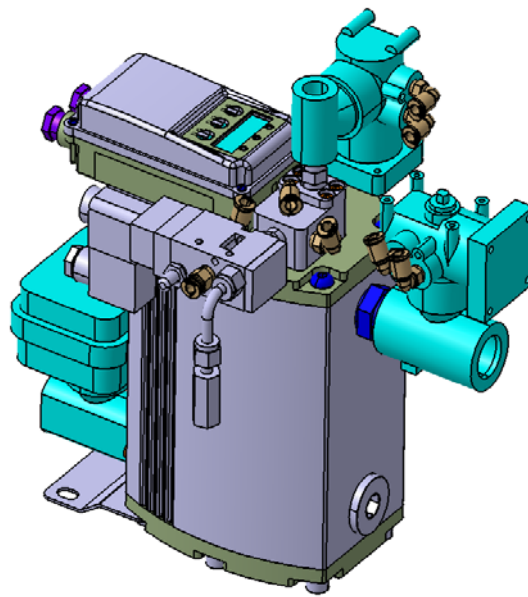


Technical Data

Condensate Drain

VACUUM

Model : DM-150BV

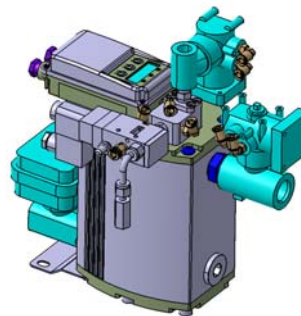


■. Technical Data		Housing protection : IP 65	
Model	DRAIN MASTER V		
Order Ref.	DM 150 BV		
Condensate Discharge (peak load)	50 ℓ / hr		
Vacuum System Operating Pressure (min/max)	0.1~1.8 bar		
Control Air Pressure (min/max)	4~8 bar		
Temperature (min/max)	. +1°C ~ +80°C		
Control Air Inlet	1/4" (6mm)		
Condensate Feed	PT 3/4"		
Balance Line	PT 3/8"		
Condensate Discharge	PT 1/2"		
Weight	5.1 kg		
Application	Vacuum System		
Power	Standard	100~240Vac(Free Voltage) / 50~60Hz / 10W	
	Order Voltages	24Vac.48Vac /24Vdc.48Vdc	
Material	Trap	Housing	Aluminium Hardcoated
		Casing	ABS
		O-ring	NBR
	Electric Actuation Ball Valve (with outlet)	Body SCS14A / Ball SUS 316 / Casing PTFE	
	Air Actuator Valve (with inlet.balance)	Body SCS14A / Ball SUS 316 / Seat F-PTFE	
	Solenoid Valve (with air control)	Aluminium	

■. Discharge Capacity. . . . DRAIN MASTER 150BV		
External Control Air/Gas	Average Capacity	Peak Load
4 bar / 58psi	42 ℓ/h	50 ℓ/h
6 bar / 87psi	46 ℓ/h	50 ℓ/h
8 bar / 116psi	48 ℓ/h	50 ℓ/h

■. Thermostatically controlled heating (Option)		
Designation	Heater Unit	
Order Ref.	A DM00-1	A DM00-2
Power	220Vac/50~60Hz/125W	110Vac/50~60Hz/125W
Operating Pressure(max)	25 bar	
Temperature(min/max)	-25°C ~ +80°C	

*On request also with NPT thread



BEST QUALITY-BEST SOLUTION-BEST SERVICE

