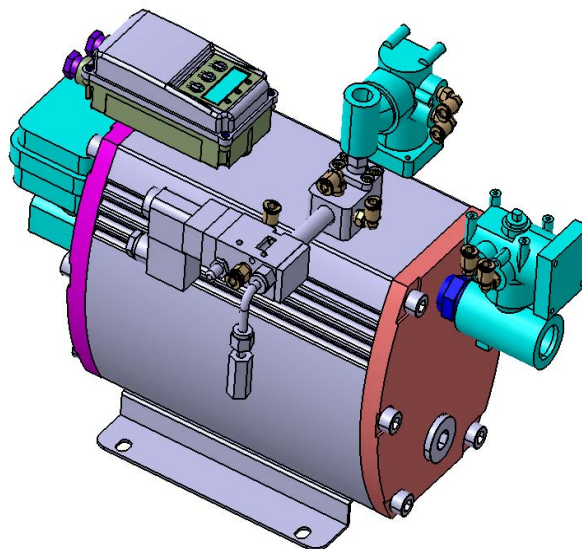


Technical Data

Condensate Drain

VACUUM

Model : DM-1500BV

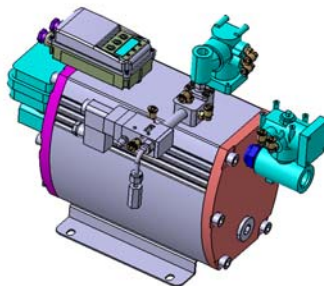


■. Technical Data		Housing protection : IP 65		
Model		DRAIN MASTER V		
Order Ref.		DM 1500 BV		
Condensate Discharge (peak load)		200 ℓ / hr		
Vacuum System Operating Pressure (min/max)		0.1~1.8 bar		
Control Air Pressure (min/max)		4~8 bar		
Temperature (min/max)		.+1°C ~ +80°C		
Control Air Inlet		1/4" (6mm)		
Condensate Feed		PT 3/4"		
Balance Line		PT 3/8"		
Condensate Discharge		PT 1/2"		
Weight		10.5 kg		
Application		Vacuum System		
Power	Standard	100~240Vac(Free Voltage) / 50~60Hz / 10W		
	Order Voltages	24Vac.48Vac /24Vdc.48Vdc		
Material	Trap	Housing	Aluminium Hardcoated	
		Casing	ABS	
		O-ring	NBR	
	Electric Actuation Ball Valve (with outlet)		Body SCS14A / Ball SUS 316 / Casing PTFE	
	Air Actuator Valve (with inlet.balance)		Body SCS14A / Ball SUS 316 / Seat F-PTFE	
	Solenoid Valve (with air control)		Aluminium	

■. Discharge Capacity. . . . DRAIN MASTER 1500BV			
External Control Air/Gas		Average Capacity	Peak Load
4 bar / 58psi		170 ℓ/h	200 ℓ/h
6 bar / 87psi		195 ℓ/h	200 ℓ/h
8 bar / 116psi		200 ℓ/h	200 ℓ/h

■. Thermostatically controlled heating (Option)		
Designation	Heater Unit	
Order Ref.	A DM00-1	A DM00-2
Power	220Vac/50~60Hz/125W	110Vac/50~60Hz/125W
Operating Pressure(max)	25 bar	
Temperature(min/max)	-25°C ~ +80°C	

*On request also with NPT thread



■. Dimension

DM-1500BV

