

ISO 9001:2008 / ISO 14001 : 2004
EUROPE CE CERTIFICATION

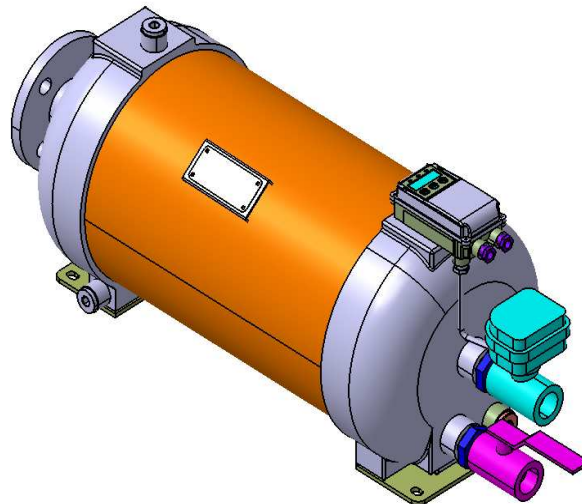


Technical Data

Condensate Auto Drain Trap

Electric Actuator Ball Valve Type

Model : DM-5000B



Condensate Auto Drain Trap

DRAIN MASTER B

TECHNICAL DATA

| | | | |
|----------------------------|--|-------------------------------------|--|
| Model | DM - 5000B | | |
| Order Ref. | DM 5000 BA | | |
| Working Pressure (min/max) | 0 ~12 bar | | |
| Temperature (min/max) | +1℃ ~ +80℃ | | |
| Safety Class | IP 65 | | |
| Condensate Feed | FL 2" x 1 point | | |
| Venting Line | G1/2"(NPT 1/2") | | |
| Condensate Discharge | G 1"(NPT 1") | | |
| Hand operated discharge | G1"(NPT 1") | | |
| Weight (empty) | 40.0 kg | | |
| Scope of Application | Oil-Free Condensate or Oil-Contaminated Condensate | | |
| Material | Housing | Stainless steel(No.1.4571 / SUS304) | |
| | O-ring | NBR | |
| | Valve | Body : SCS13A . Ball : SUS 304 | |
| | PCB Board Casing | ABS | |

| | Climatic zone | Peak compressor performance m ³ /min | Peak dryer performance m ³ /min | Peak filter performance m ³ /min |
|-----------------|---------------|--|---|--|
| DM-5000B | Green | 5800 | . | . |
| | Blue | 5000 | . | . |
| | Red | 3500 | . | . |

*Green -Dry and cool climate(such as in Northern Europe, Canada, Northern states of the USA, Central Asia)

*Blue -temperate climate(such as in Central and Southern Europe, Central America)

*Red -humid, tropical climate(such as in the coastal regions of South-East Asia, Oceania, Amazon and Congo regions)

Discharge Capacity of DRAIN MASTER B (DM-5000B)

| Working pressure | 1 bar | 2 bar | 4 bar | 6 bar | 8 bar | 10 bar | 12 bar |
|------------------|-------|-------|-------|-------|-------|--------|--------|
| Peak load (l/h) | 3,300 | 4,900 | 6,750 | 7,900 | 8,450 | 8,890 | 9,850 |

| | | | | | | | |
|---------------------|----------------------------|------------------------------------|--|--|--|-------|--|
| Voltage | Standard | 100~240Vac(Free Voltage) / 50~60Hz | | | | | |
| | Order Voltages | 24Vac.48Vac /24Vdc.48Vdc | | | | | |
| Power Input | 18.0 VA | Fuse protection(normal lag) | | | | 0.5 A | |
| Cable cross section | Ø 6.0 ~ 8.0 mm; 3 x 0.75mm | | | | | | |

Thermostatically controlled heating (Option)

| | | |
|---|---------------------|---------------------|
| Designation | Heater Unit | |
| Order Ref. | A DM01-1 | A DM01-2 |
| Power | 220Vac/50~60Hz/180W | 110Vac/50~60Hz/180W |
| Operating Pressure(max) | 25 bar | |
| with heating unit and proper insulation; down to -25℃ | | |

DIMENSION

DRAIN MASTER B (DM-5000B)

