

ISO 9001:2008 / ISO 14001 : 2004
EUROPE CE CERTIFICATION

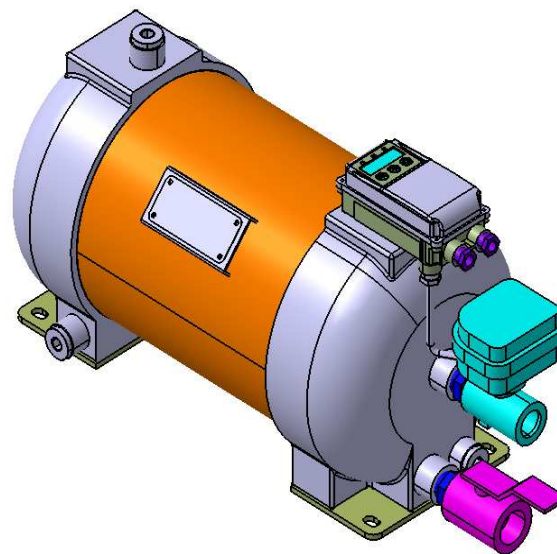


Technical Data

Condensate Auto Drain Trap

Electric Actuator Ball Valve Type

Model : DM-2500B



Condensate Auto Drain Trap

DRAIN MASTER B

TECHNICAL DATA

Model	DM - 2500B		
Order Ref.	DM 2500 BA		
Working Pressure (min/max)	0 ~12 bar		
Temperature (min/max)	+1℃ ~ +80℃		
Safety Class	IP 65		
Condensate Feed	G1"(NPT 1") x 1 point		
Venting Line	G1/2"(NPT 1/2")		
Condensate Discharge	G3/4"(NPT 3/4")		
Hand operated discharge	G3/4"(NPT 3/4")		
Weight (empty)	28.0 kg		
Scope of Application	Oil-Free Condensate or Oil-Contaminated Condensate		
Material	Housing	Stainless steel(No.1.4571 / SUS304)	
	O-ring	NBR	
	Valve	Body : SCS13A . Ball : SUS 304	
	PCB Board Casing	ABS	

	Climatic zone	Peak compressor performance m ³ /min	Peak dryer performance m ³ /min	Peak filter performance m ³ /min
DM-2500B	Green	2900	5800	.
	Blue	2500	5000	.
	Red	1750	3500	.

***Green** -Dry and cool climate(such as in Northern Europe, Canada, Northern states of the USA, Central Asia)

***Blue** -temperate climate(such as in Central and Southern Europe, Central America)

***Red** -humid, tropical climate(such as in the coastal regions of South-East Asia, Oceania, Amazon and Congo regions)

Discharge Capacity of DRAIN MASTER B (DM-2500B)

Working pressure	1 bar	2 bar	4 bar	6 bar	8 bar	10 bar	12 bar
Peak load (l/h)	1,650	2,450	3,380	3,950	4,220	4,450	4,950

Voltage	Standard	100~240Vac(Free Voltage) / 50~60Hz					
	Order Voltages	24Vac.48Vac /24Vdc.48Vdc					
Power Input	10.0 VA	Fuse protection(normal lag)				0.5 A	
Cable cross section	Ø 6.0 ~ 8.0 mm; 3 x 0.75mm						

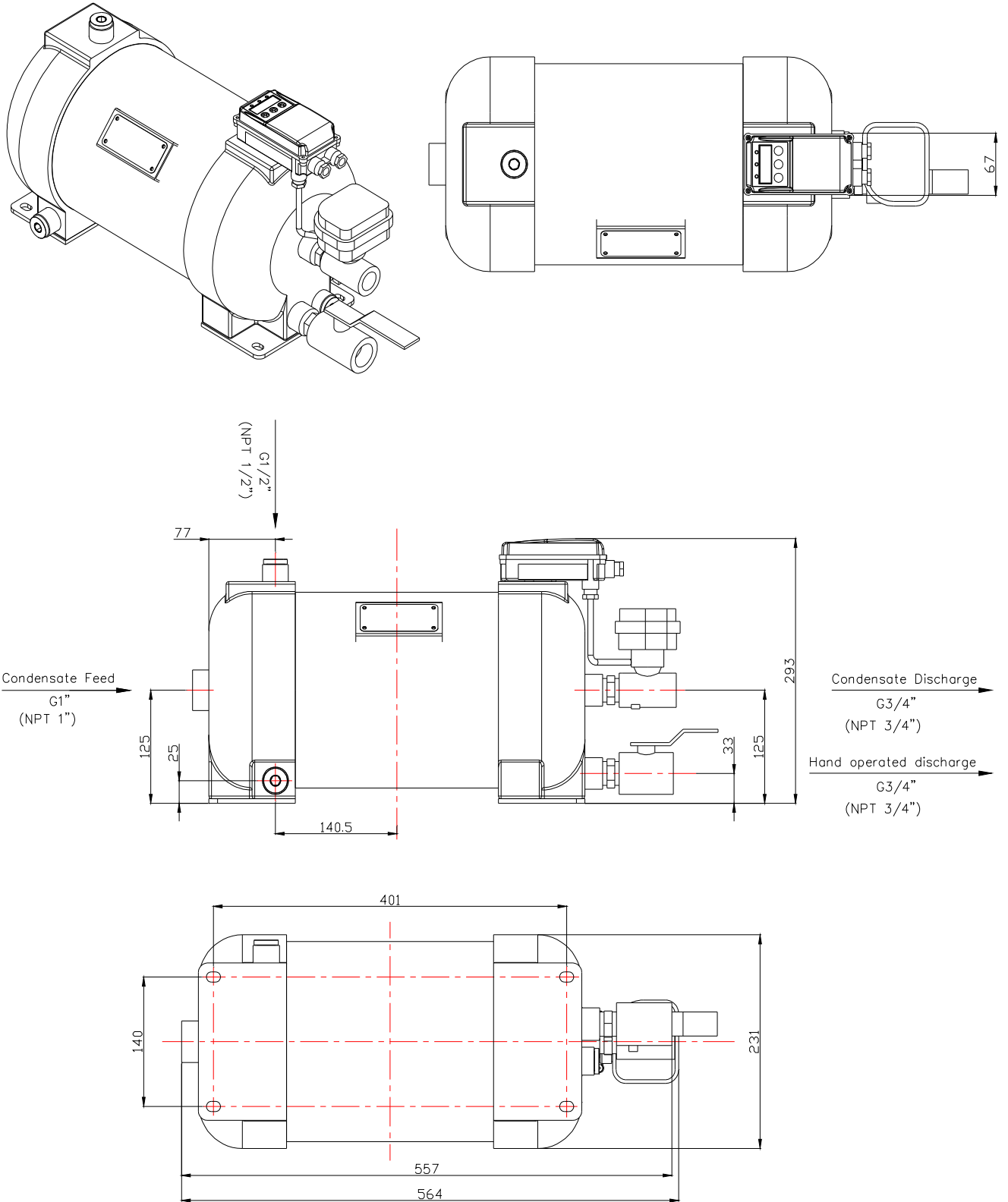
Thermostatically controlled heating (Option)

Designation	Heater Unit	
Order Ref.	A DM01-1	A DM01-2
Power	220Vac/50~60Hz/180W	110Vac/50~60Hz/180W
Operating Pressure(max)	25 bar	

with heating unit and proper insulation; down to -25℃

DIMENSION

DRAIN MASTER B (DM-2500B)



Subject to technical changes without prior notice, errors not excluded.