



Enclosure type:
4X "Watertight"

ISO 9001:2008 / ISO 14001 : 2004
EUROPE CE CERTIFICATION

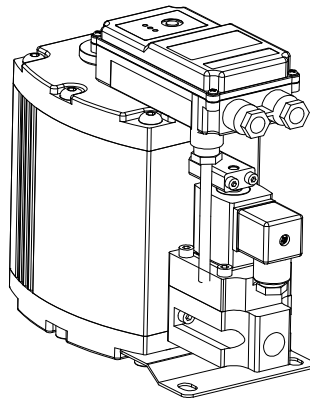


Technical Data

Condensate Auto Drain Trap

High Pressure Type

Model : DM-150HP



Condensate Auto Drain Trap

DRAIN MASTER HP

TECHNICAL DATA

Model	DM - 150HP		
Order Ref.	DM 150H CA		
Working Pressure (min/max)	1.2 ~60 bar		
Temperature (min/max)	+1 °C ~ +80 °C		
Safety Class	IP 65		
Condensate Feed	G3/4"(NPT 3/4") x 3 point		
Venting Line	G3/4"(NPT 3/4")		
Condensate Discharge	G3/8"(NPT 3/8")		
Weight (empty)	4.05 kg		
Scope of Application	Oil-Free Condensate or Oil-Contaminated Condensate		
Material	Housing	Aluminium, Hardcoated	
	O-ring	NBR	
	Diaphragm	AU/FKM	
	PCB Board Casing	ABS	

	Climatic zone	Peak compressor performance m ³ /min	Peak dryer performance m ³ /min	Peak filter performance m ³ /min
DM-150HP	Green	170	340	1700
	Blue	150	300	1500
	Red	105	210	1050

***Green** –Dry and cool climate(such as in Northern Europe, Canada, Northern states of the USA, Central Asia)

***Blue** –temperate climate(such as in Central and Southern Europe, Central Americal)

***Red** –humid, tropical climate(such as in the coastal regions of South-East Asia, Oceania, Amazon and Congo regions)

Discharge Capacity of DRAIN MASTER HP(DM-150HP)

Working pressure	1 bar	2 bar	3 bar	4 bar	5 bar	6 bar	7 bar
Peak load (l/h)	180	210	240	275	310	352	400

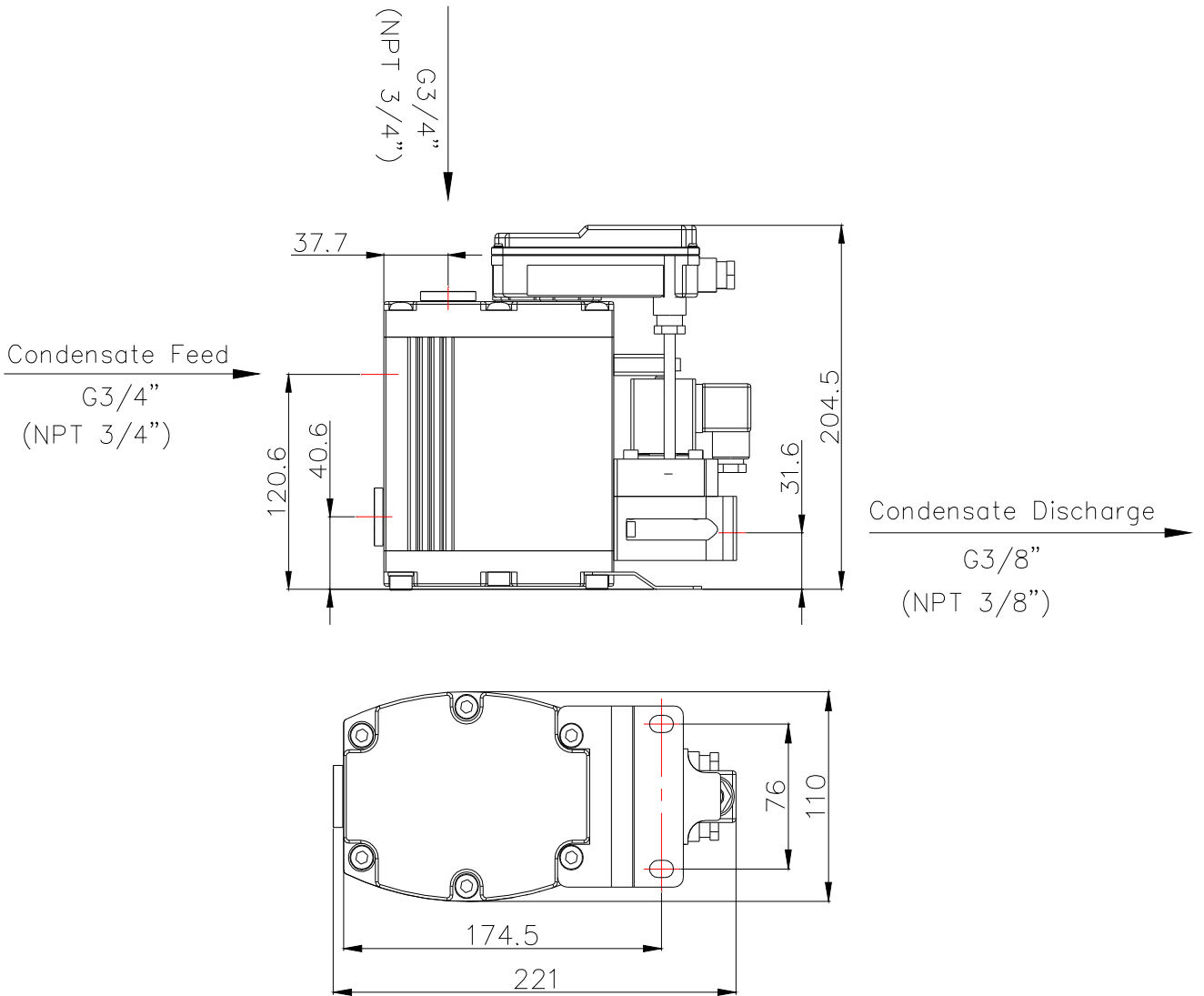
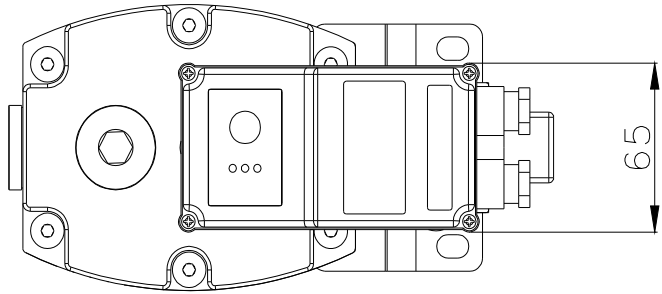
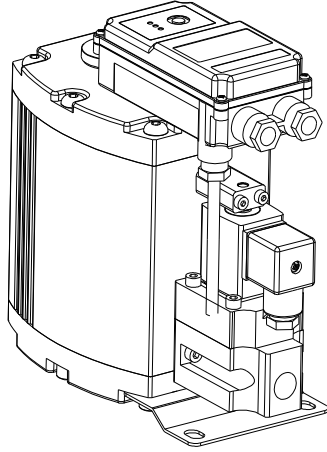
Voltage	Standard	100~240Vac(Free Voltage) / 50~60Hz	
	Order Voltages	24Vac.48Vac /24Vdc.48Vdc	
Power Input	15 VA	Fuse protection(normal lag)	0.5 A
Cable cross section	Ø 6.0 ~ 8.0 mm; 3 x 0.75mm		

Thermostatically controlled heating (Option)

Designation	Heater Unit	
Order Ref.	A DM00-10	A DM00-20
Power	220Vac/50~60Hz/125W	110Vac/50~60Hz/125W
Operating Pressure(max)	60 bar	
with heating unit and proper insulation; down to -25 °C		

DIMENSION

DRAIN MASTER HP (DM-150HP)



Subject to technical changes without prior notice, errors not excluded.