



ISO 9001:2008 / ISO 14001 : 2004  
EUROPE CE CERTIFICATION

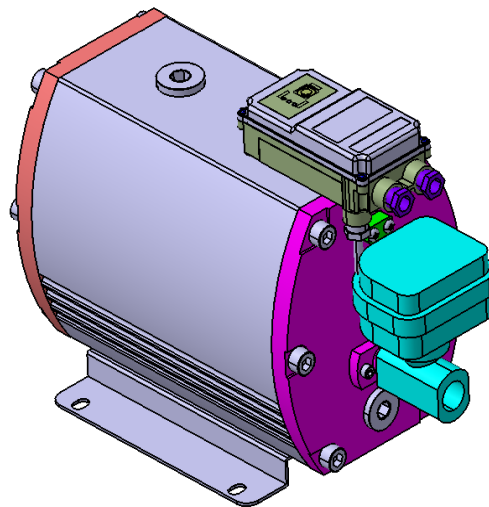


## Technical Data

**Condensate Auto Drain Trap**

**Electric Actuator Ball Valve Type**

**Model : DM-1500B**



# Condensate Auto Drain Trap

**DRAIN MASTER B**

## TECHNICAL DATA

<b>Model</b>	<b>DM - 1500B</b>		
Order Ref.	DM 1500 BA		
Working Pressure (min/max)	0 ~16 bar		
Temperature (min/max)	+1 °C ~ +80 °C		
Safety Class	IP 65		
Condensate Feed	G3/4"(NPT 3/4") x 2 point, G1"(NPT 1") x 1 point		
Venting Line	G3/4"(NPT 3/4")		
Condensate Discharge	G3/4"(NPT 3/4")		
Weight (empty)	7.5 kg		
Scope of Application	Oil-Free Condensate or Oil-Contaminated Condensate		
Material	Housing	Aluminium, Hardcoated	
	O-ring	NBR	
	Valve	Body : SCS13A . Ball : SUS 304	
	PCB Board Casing	ABS	

	Climatic zone	Peak compressor performance m <sup>3</sup> /min	Peak dryer performance m <sup>3</sup> /min	Peak filter performance m <sup>3</sup> /min
<b>DM-1500B</b>	Green	1750	3500	.
	Blue	1500	3000	.
	Red	1050	2100	.

\***Green** -Dry and cool climate(such as in Northern Europe, Canada, Northern states of the USA, Central Asia)

\***Blue** -temperate climate(such as in Central and Southern Europe, Central America)

\***Red** -humid, tropical climate(such as in the coastal regions of South-East Asia, Oceania, Amazon and Congo regions)

## Discharge Capacity of DRAIN MASTER B (DM-1500B)

Working pressure	1 bar	2 bar	3 bar	4 bar	5 bar	6 bar	7 bar
Peak load (l/h)	950	1,150	1,320	1,400	1,460	1,580	1,700

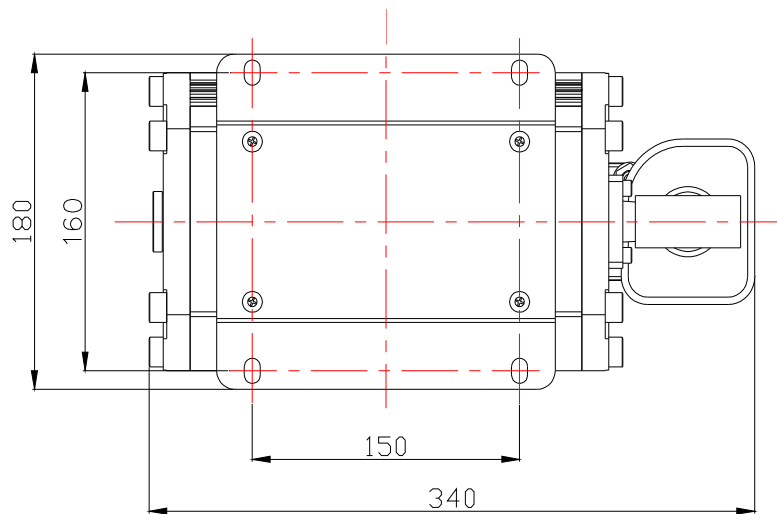
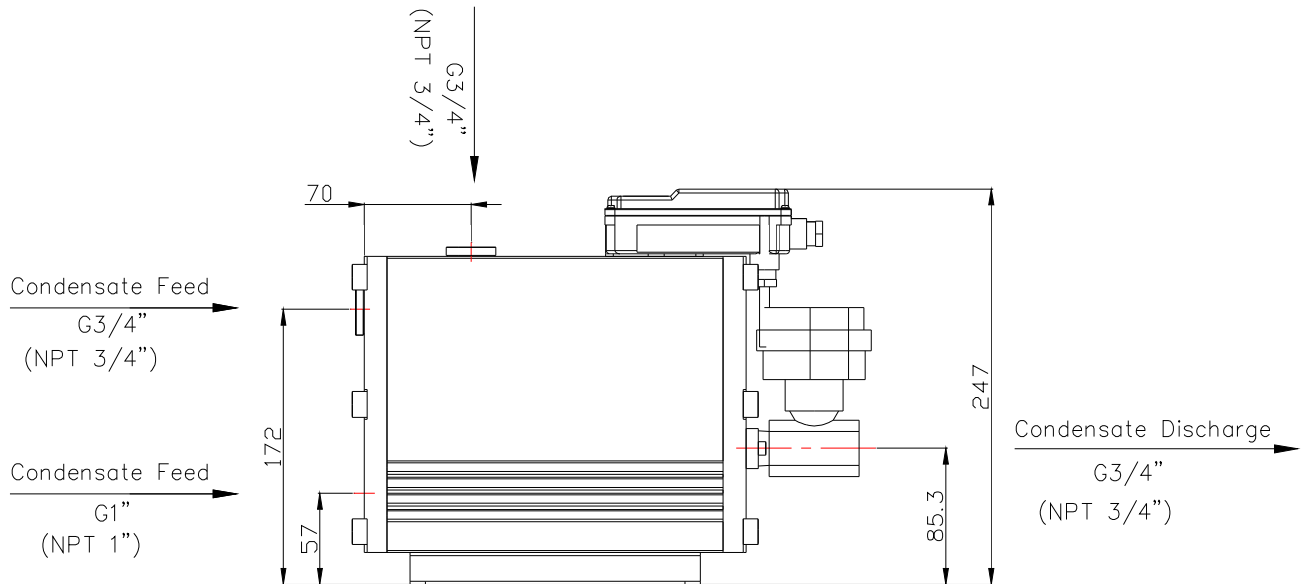
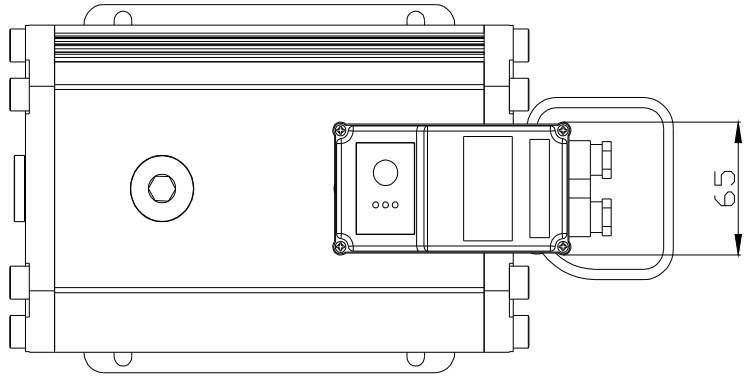
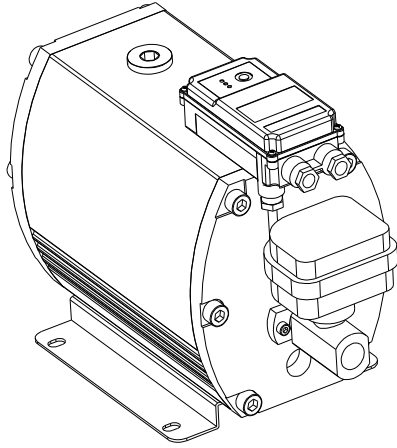
Voltage	Standard	100~240Vac(Free Voltage) / 50~60Hz	
	Order Voltages	24Vac.48Vac /24Vdc.48Vdc	
Power Input	10 VA	Fuse protection(normal lag)	0.5 A
Cable cross section	Ø 6.0 ~ 8.0 mm; 3 x 0.75mm		

## Thermostatically controlled heating (Option)

Designation	Heater Unit	
Order Ref.	A DM00-1	A DM00-2
Power	220Vac/50~60Hz/125W	110Vac/50~60Hz/125W
Operating Pressure(max)	25 bar	
with heating unit and proper insulation; down to -25 °C		

**DIMENSION**

**DRAIN MASTER B (DM-1500B)**



Subject to technical changes without prior notice, errors not excluded.